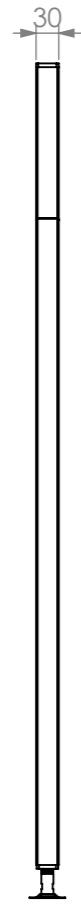
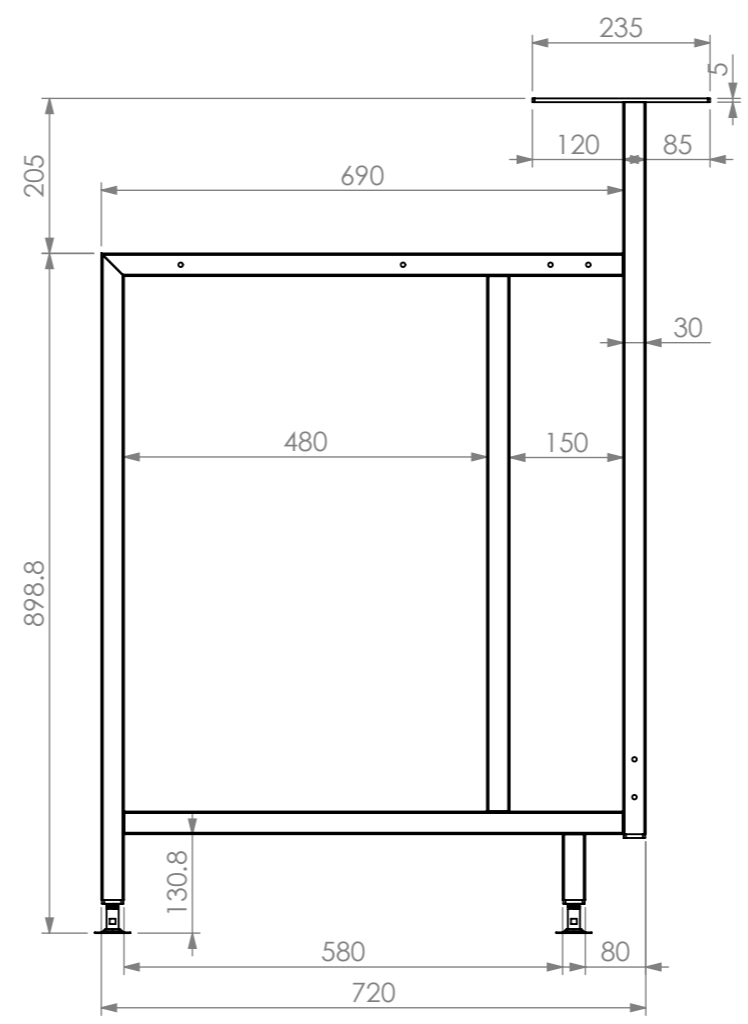


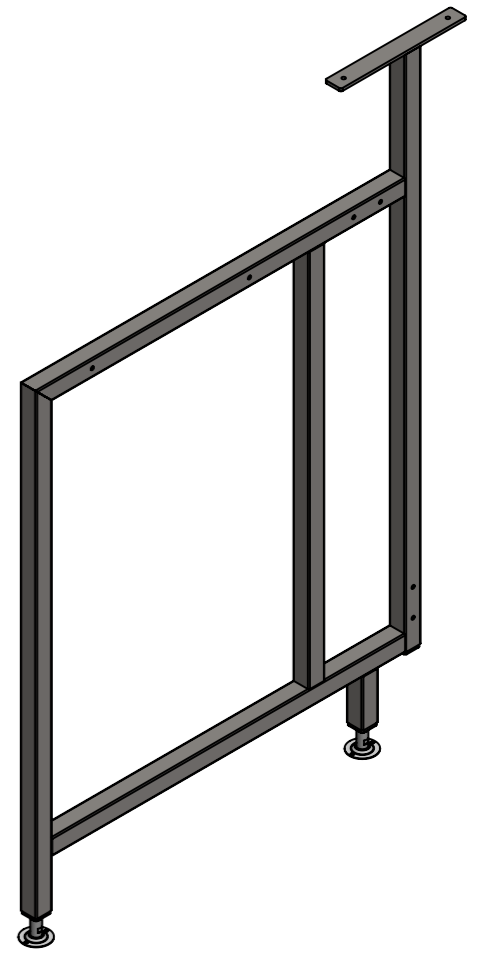
PLAN



FRONT ELEVATION



SIDE ELEVATION



SBM-SLF-0700



Modular Bar Solutions

COPYRIGHT © 2024

This drawing is the property of CI GROUP PTY LTD. Tradings as SIMPLY BARS and It may not be copied, reproduced or modified in whole or in part without prior written permission of CI GROUP PTY LTD. SIMPLY BARS reserves the right to change specification and design without notice.

SBM-SLF-0700
SINGLE BAR MODULE LEG FRAME

SIZE: A3

SCALE: 1:10

CONSTRUCTION NOTES :

- 1. LEG FRAME MADE FROM 30mm STAINLESS STEEL SQ TUBE.
- 2. FEET ARE ADJUSTABLE STAINLESS STEEL DISC SHAPED FEET

