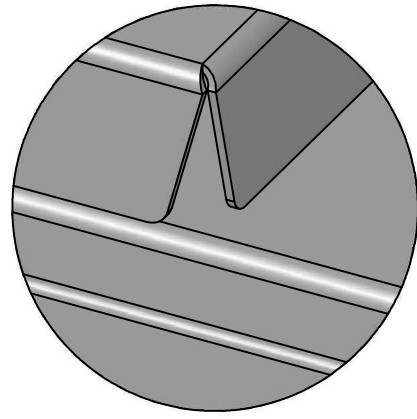
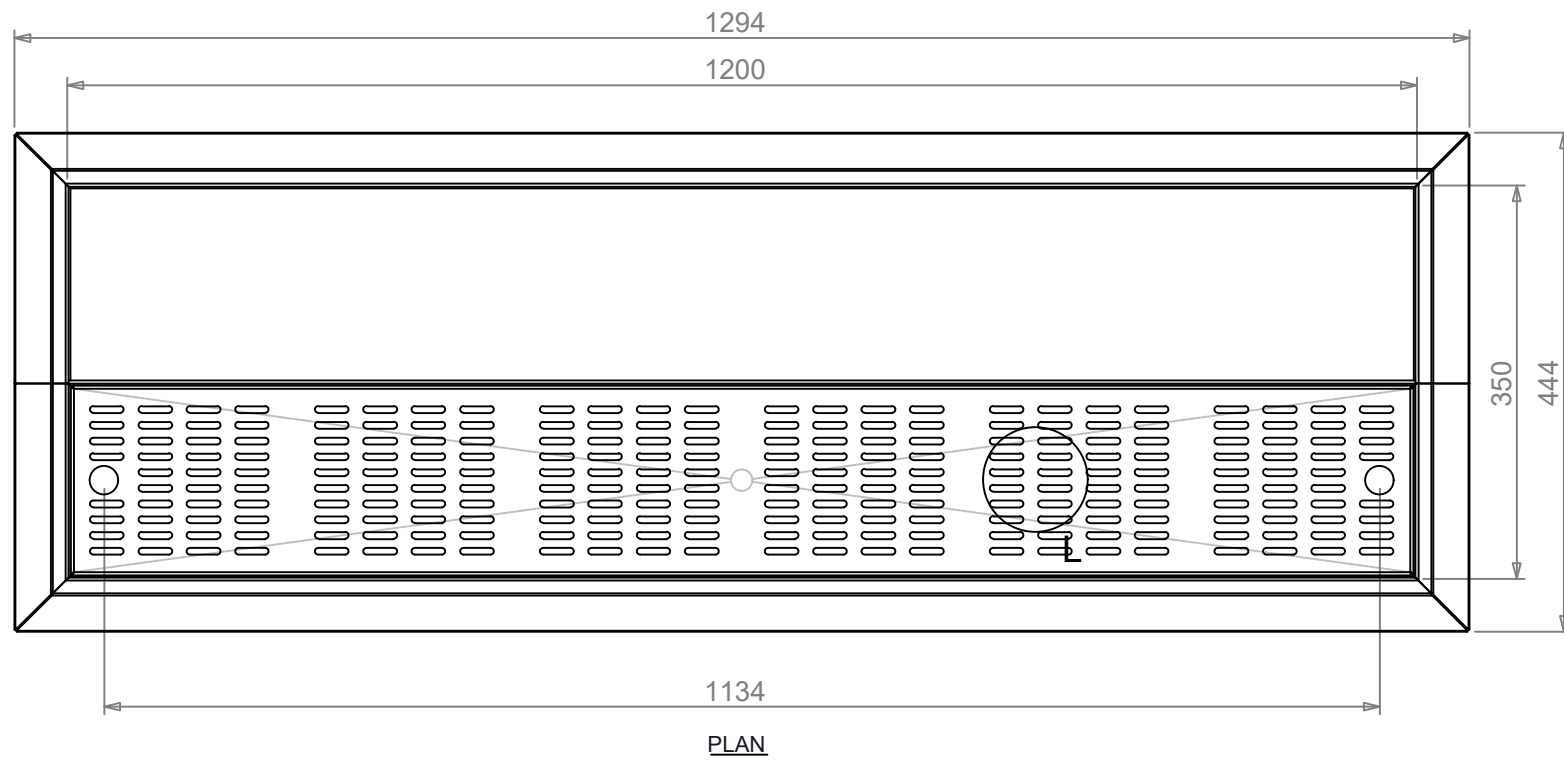
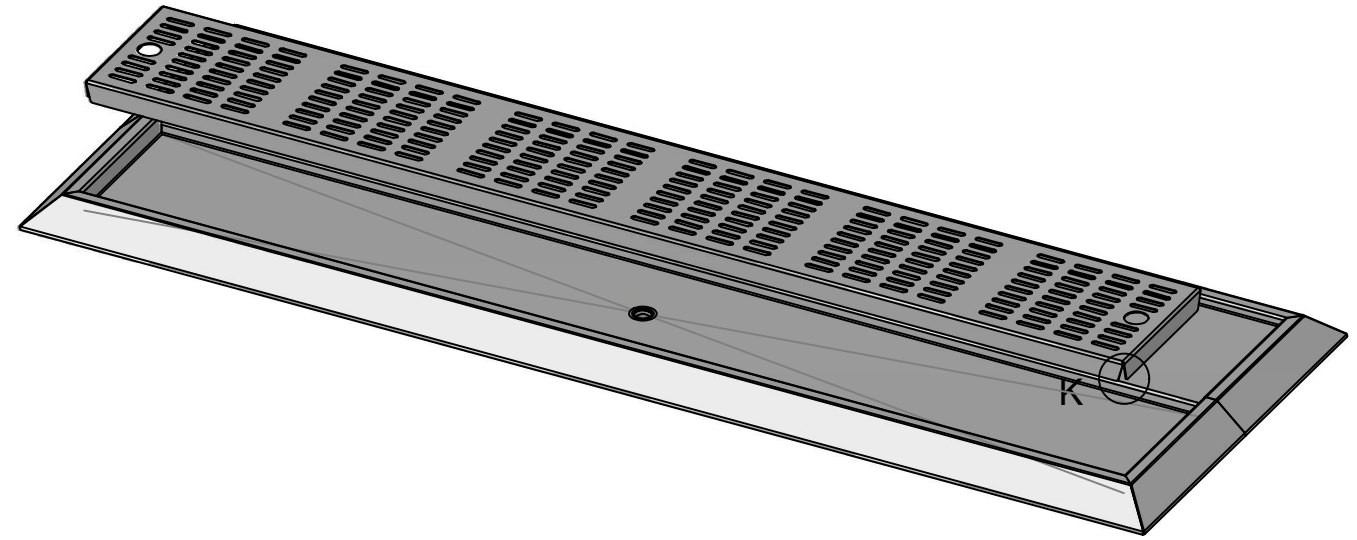


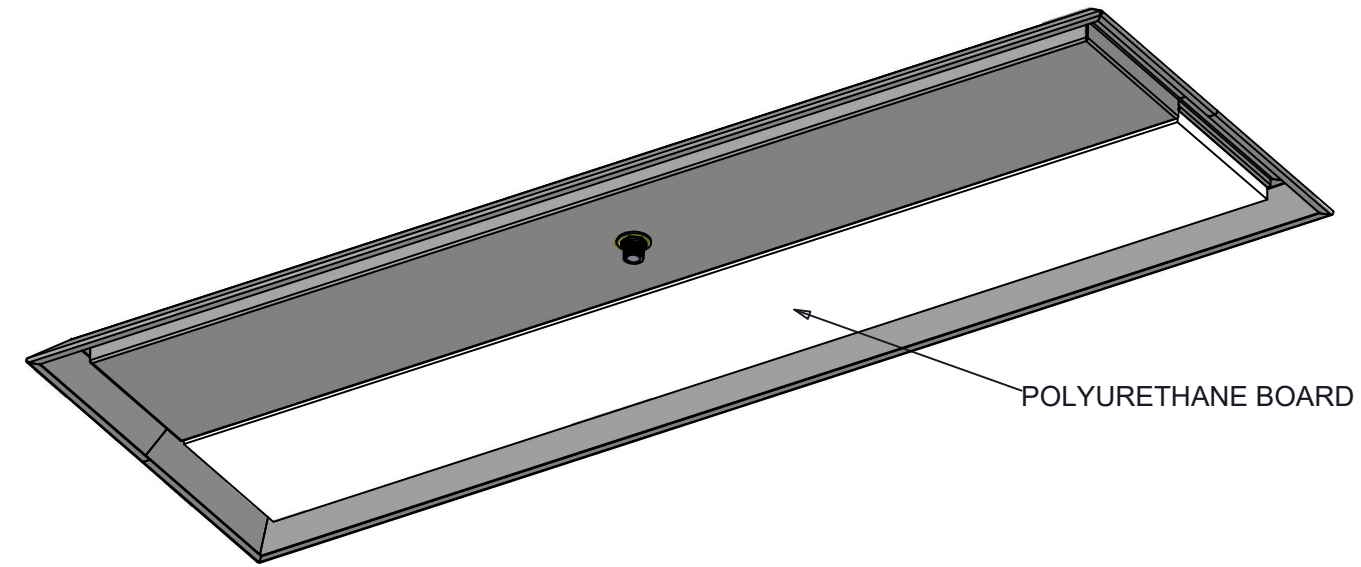
DETAIL L
SCALE 1 : 3



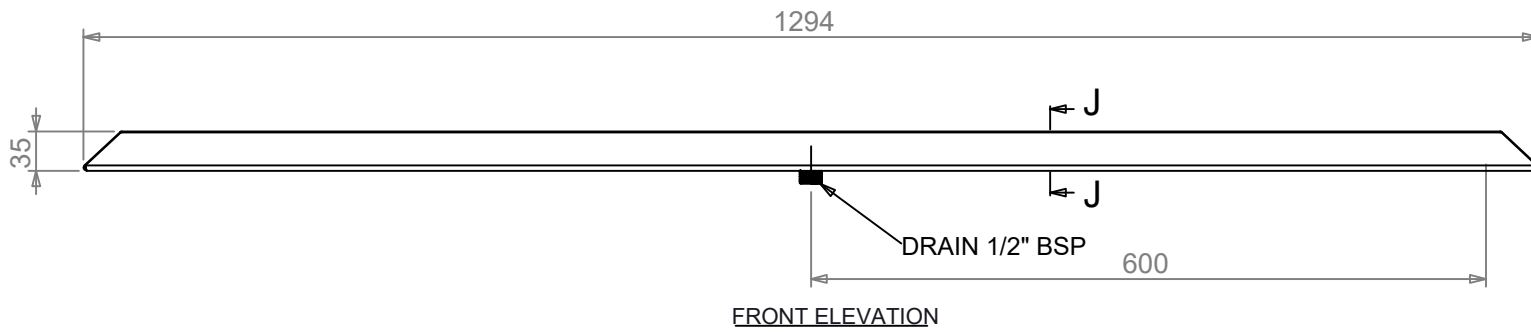
DETAIL K



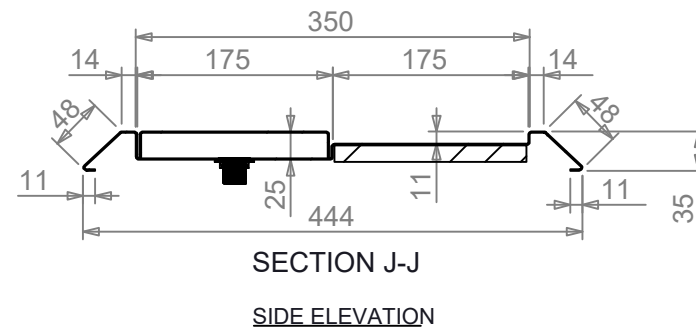
PLAN



POLYURETHANE BOARD



FRONT ELEVATION



SECTION J-J

SIDE ELEVATION



Simply Bar Solutions
COPYRIGHT ©2021

This drawing is the property of CI GROUP PTY LTD. Tradings as SIMPLY BARS and It may not be copied, reproduced or modified in whole or in part without prior written permission of CI GROUP PTY LTD. SIMPLY BARS reserves the right to change specification and design without notice.

**SBM-CTBS-1200
COUNTER TOP BEER STATION**

SIZE:A3

SCALE : VARIES

CONSTRUCTION NOTES :

1. MADE FROM 304 GRADE, 1.2mm STAINLESS STEEL.

SBM-CTBS-1200