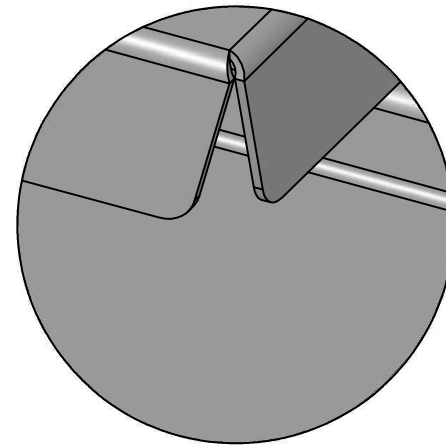
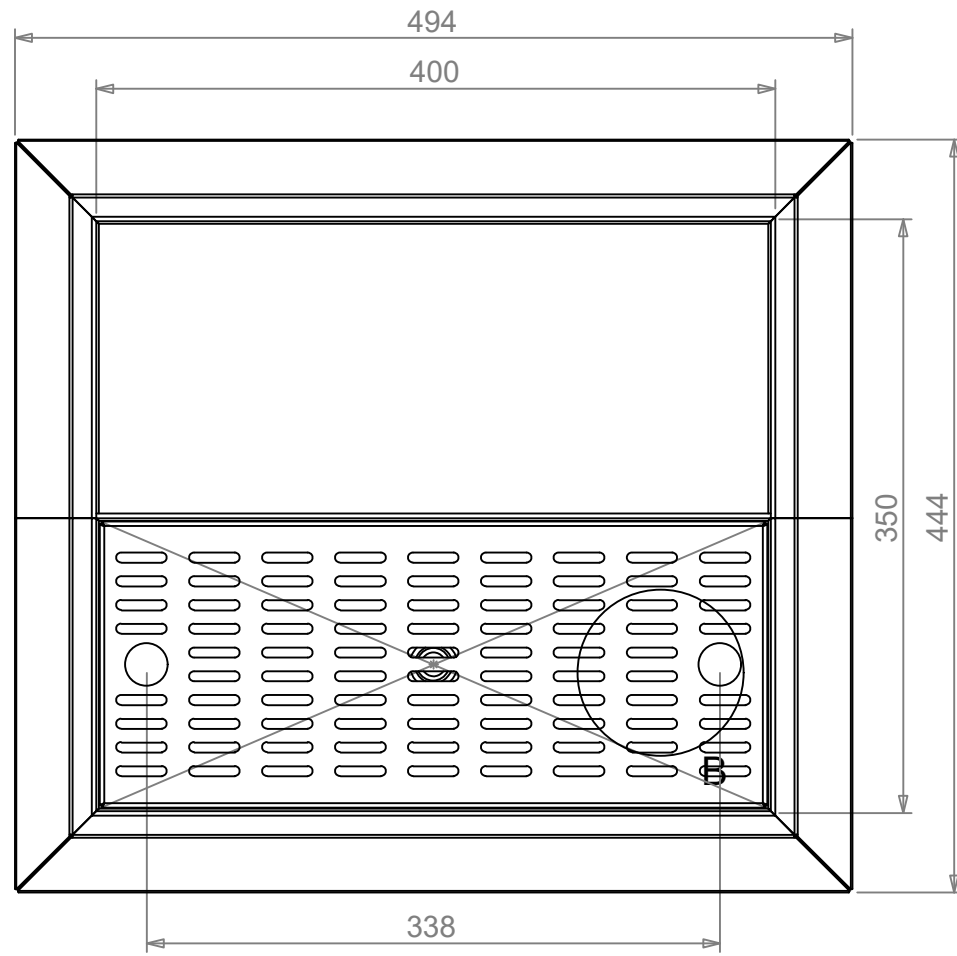
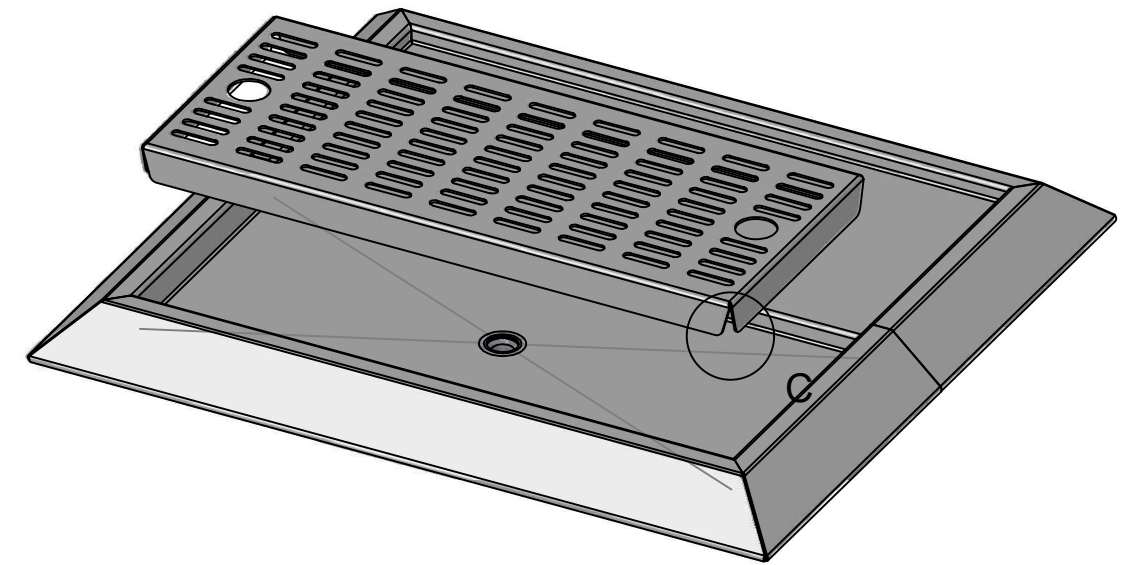


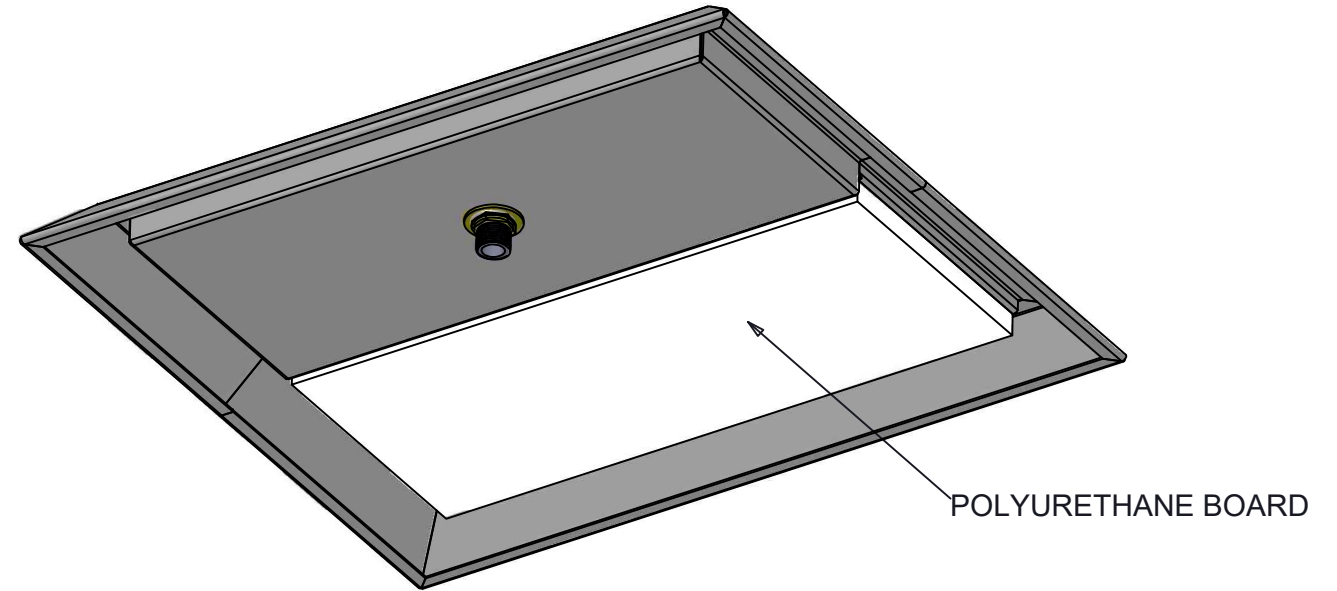
DETAIL B



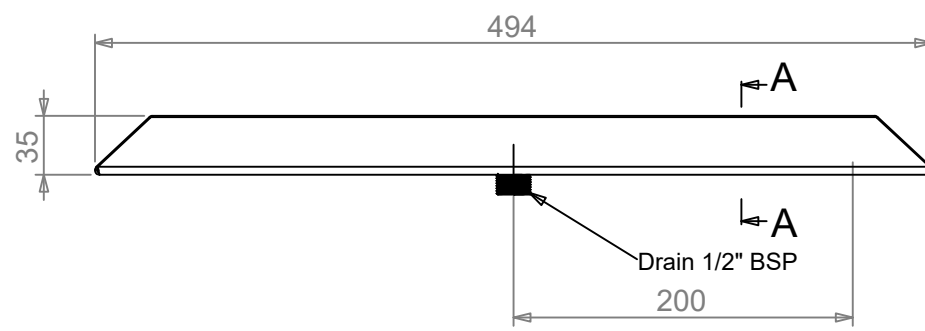
DETAIL C



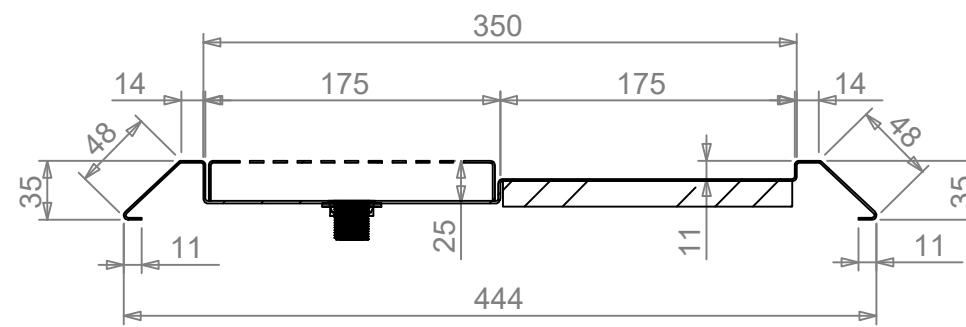
PLAN



POLYURETHANE BOARD



FRONT ELEVATION



SECTION A-A
SIDE ELEVATION



COPYRIGHT © 2021
This drawing is the property of CI GROUP PTY LTD. Tradings as SIMPLY STAINLESS and It may not be copied, reproduced or modified in whole or in part without prior written permission of CI GROUP PTY LTD. SIMPLY STAINLESS reserves the right to change specification and design without notice.

SBM-CTBS-0400
COUNTER TOP BEER STATION

SIZE:A3

SCALE : VARIES

CONSTRUCTION NOTES :

1. MADE FROM 304 GRADE, 1.2mm STAINLESS STEEL.

SBM-CTBS-0400