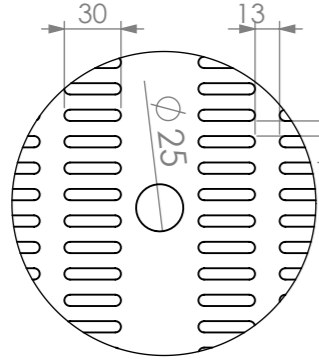
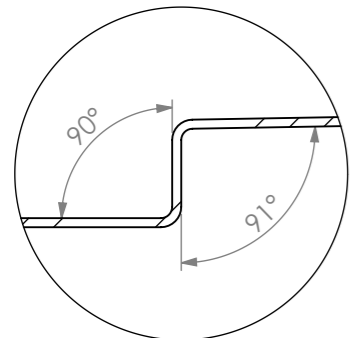


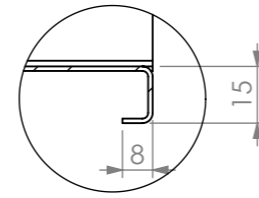
DETAIL B



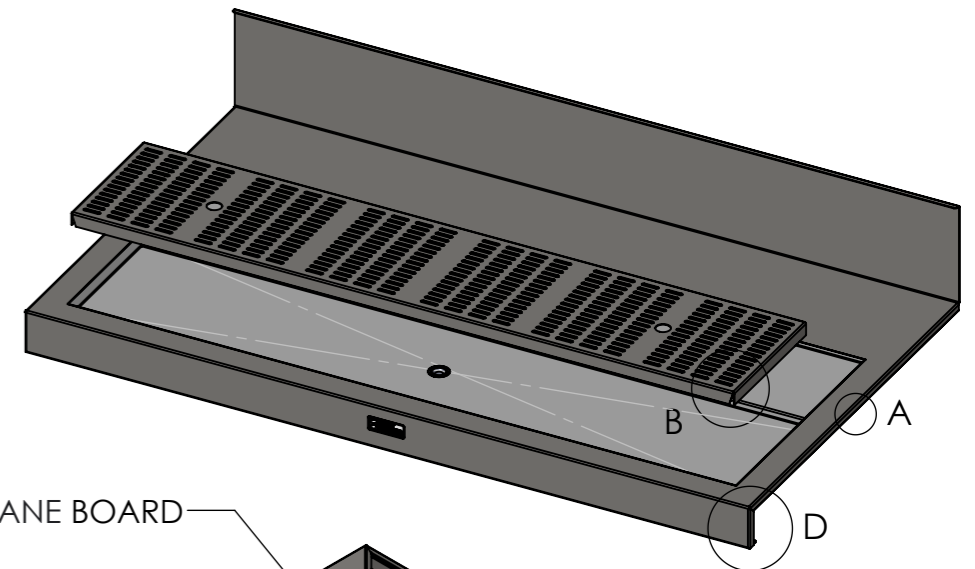
DETAIL C



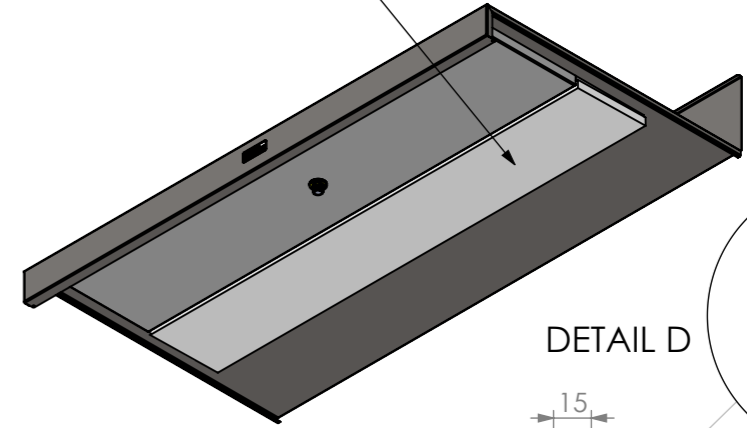
DETAIL E



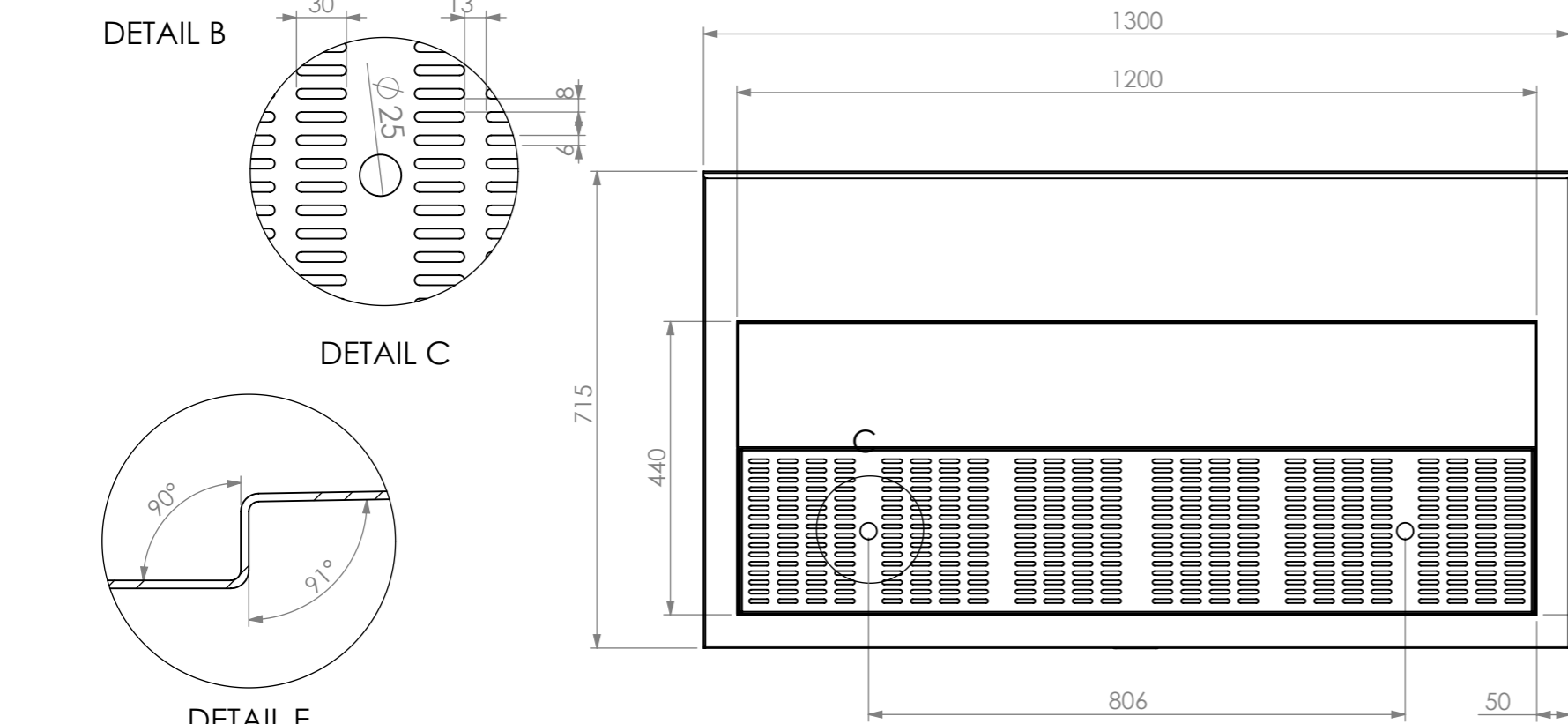
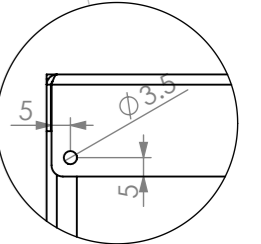
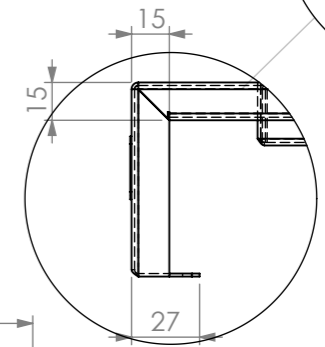
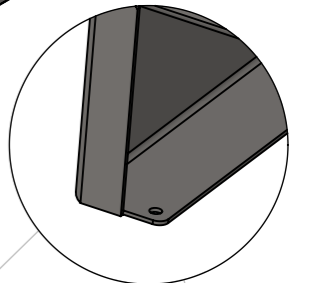
DETAIL A



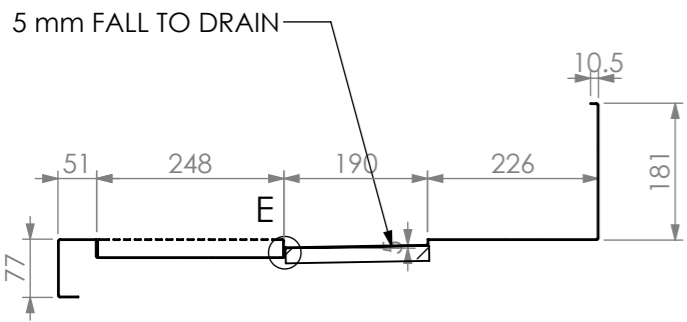
POLYURETHANE BOARD



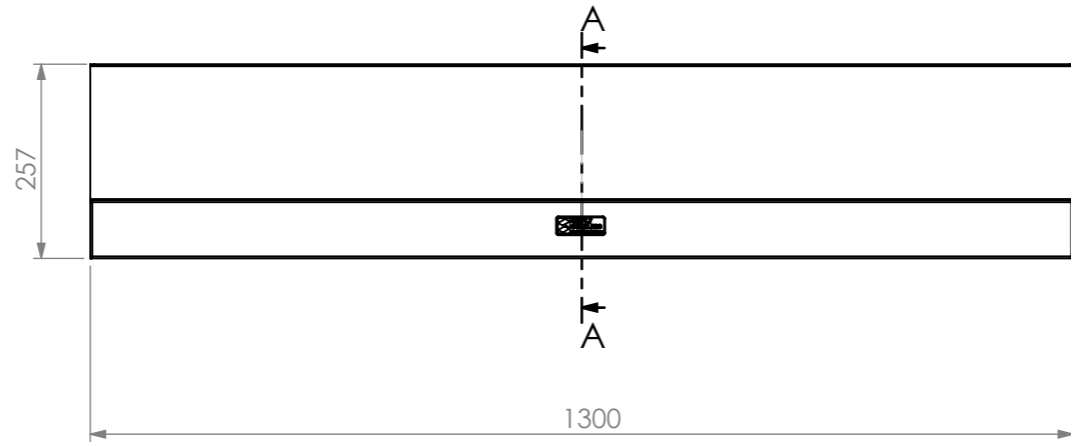
DETAIL D



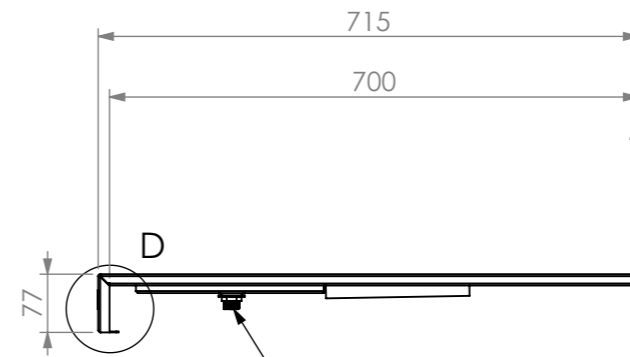
PLAN



SECTION A-A

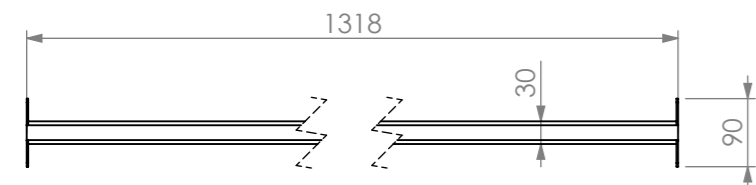


FRONT ELEVATION



SIDE ELEVATION

1/2" BSP



SPACER X1

SIMPLY STAINLESS
Modular Bar Solutions
COPYRIGHT © 2023
This drawing is the property of CI GROUP PTY LTD. Tradings as SIMPLY BARS and it may not be copied, reproduced or modified in whole or in part without prior written permission of CI GROUP PTY LTD. SIMPLY BARS reserves the right to change specification and design without notice.

SBM-BS-7-1300 BEER STATION

SIZE: A3

SCALE: 1:10

CONSTRUCTION NOTES :

1. TOPS MADE FROM 304 GRADE, 1.2mm STAINLESS STEEL.
2. SPACER MADE FROM 30mm STAINLESS STEEL SQ TUBE.

SBM-BS-7-1300

