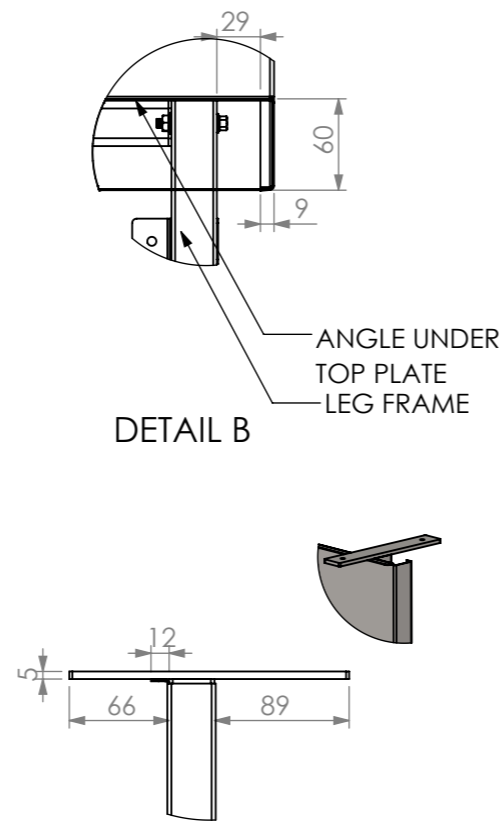
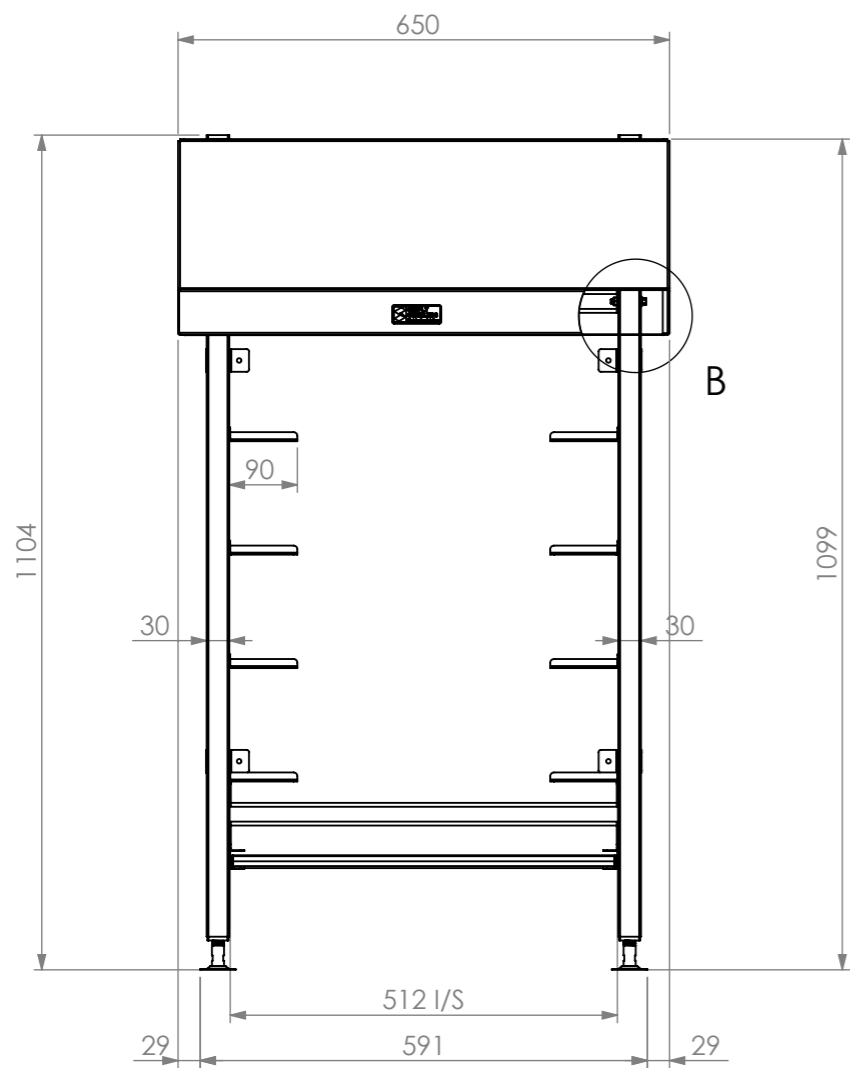
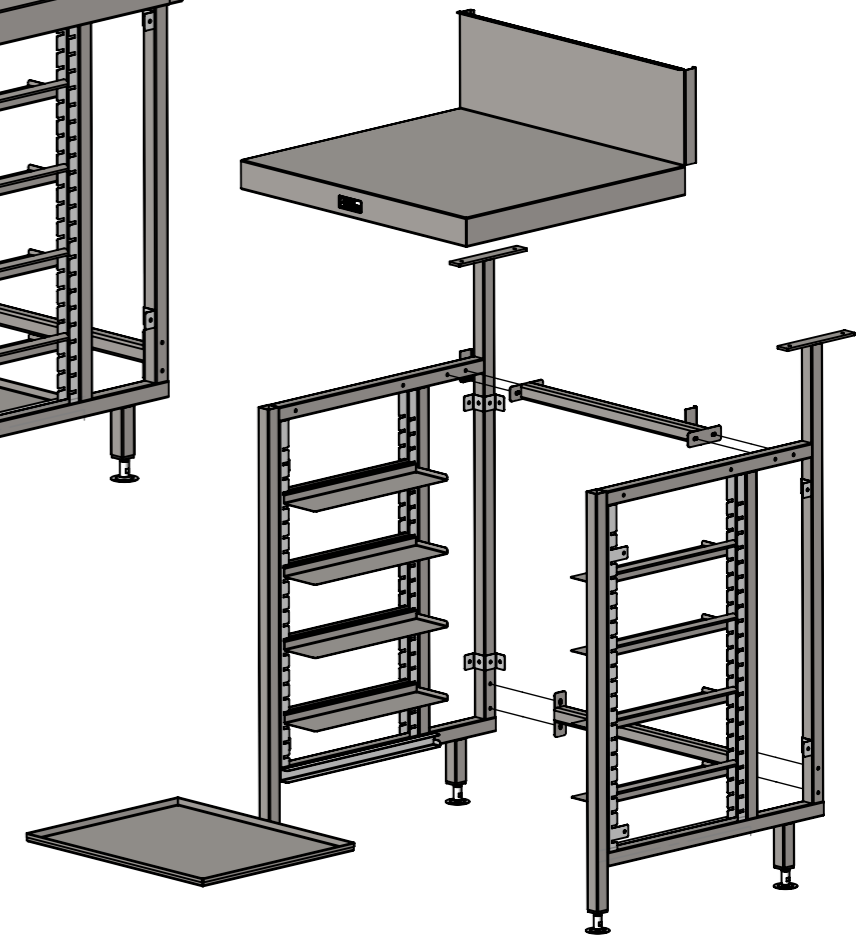
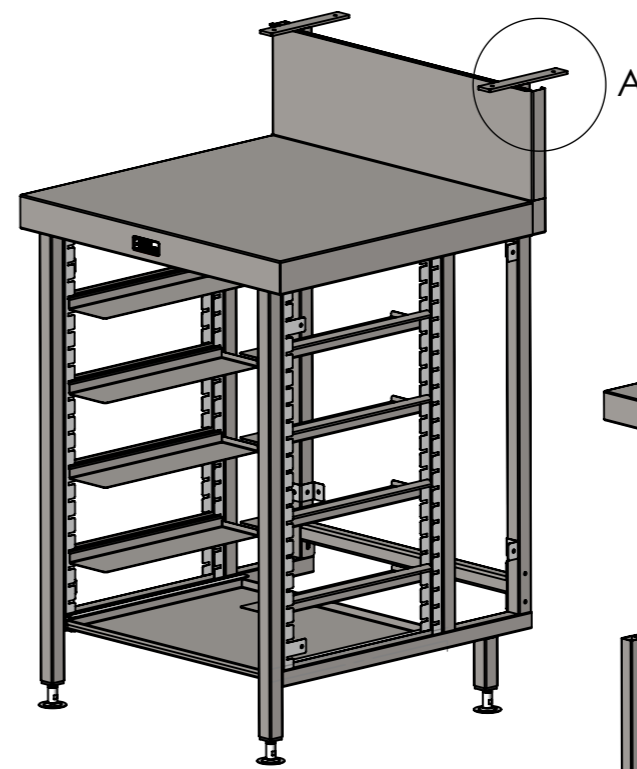


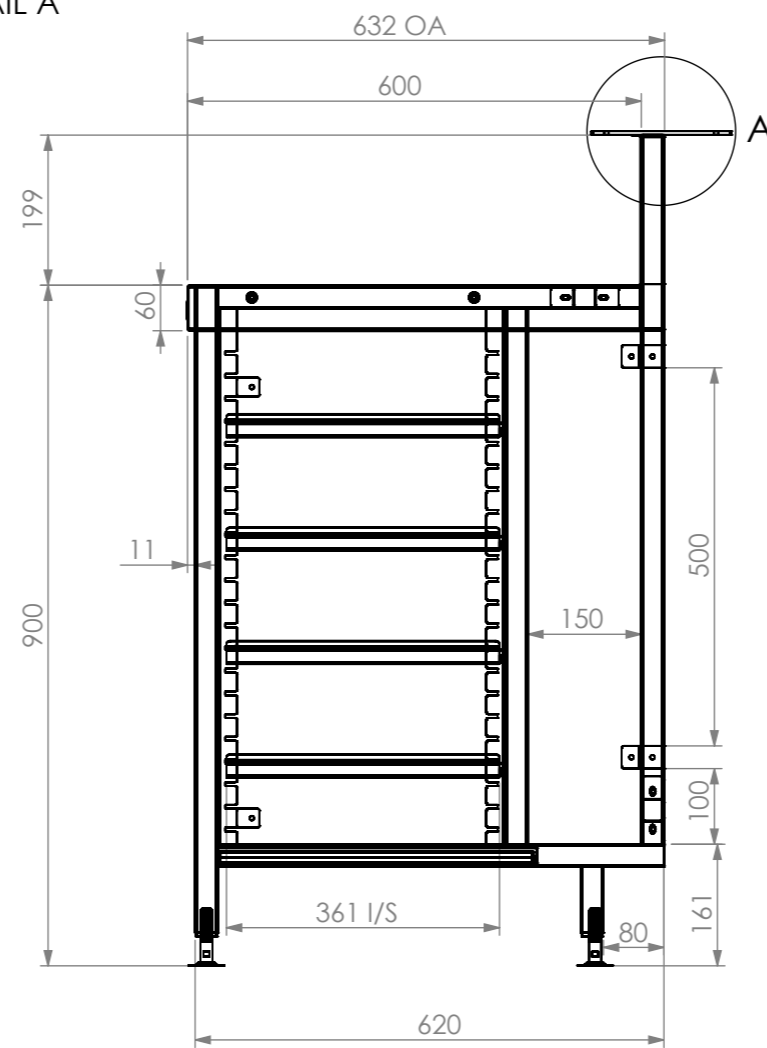
PLAN



DETAIL A



FRONT ELEVATION



SIDE ELEVATION



Modular Bar Solutions

COPYRIGHT © 2023

This drawing is the property of CI GROUP PTY LTD. Tradings as SIMPLY BARS and It may not be copied, reproduced or modified in whole or in part without prior written permission of CI GROUP PTY LTD. SIMPLY BARS reserves the right to change specification and design without notice.

**SBM-BR-6-0650  
 BASKET RACK**

SIZE: A3

SCALE: 1:10

**CONSTRUCTION NOTES :**

1. TOPS MADE FROM 304 GRADE, 1.2mm STAINLESS STEEL.
2. CORE MADE FROM 3.0mm ZINC ANNEAL.
3. LEG FRAME MADE FROM 30mm STAINLESS STEEL SQ TUBE.
4. FEET ARE ADJUSTABLE STAINLESS STEEL DISC SHAPED FEET.

**SBM-BR-6-0650**

