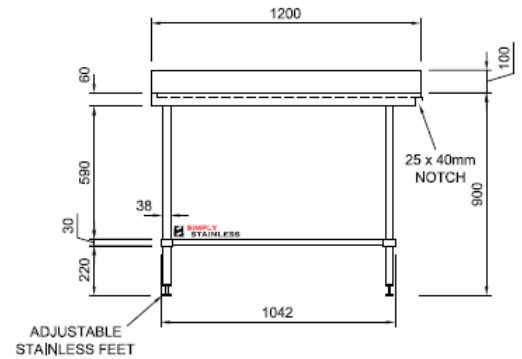




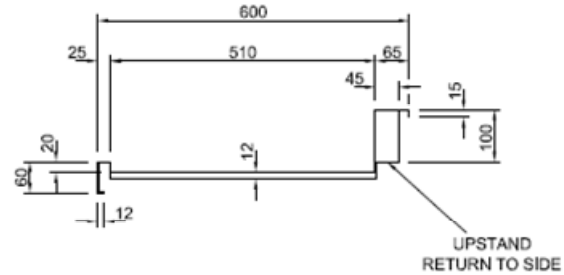
SIMPLY STAINLESS

www.simplystainless.com

Modular sinks tables and shelves



FRONT ELEVATION



OUTLET BENCH PROFILE

SPECIFICATION	
Tops	High quality 304 grade stainless steel 1.2mm gauge, no. 4 finish, 100mm upstand (150mm bevelled upstand on 700 series)
Core	1.2mm top hat stiffening channels, stainless steel sockets
Frames	38mm round stainless steel tube, satin polished, machined collars, stainless steel disc feet
Undershelves	1.2mm gauge, high quality stainless steel, no. 4 finish, top hat stiffening with channels

07	DISHWASH OUTLET BENCH	
	Product Code	Dimensions
	07.6.1200L	1200mm x 600mm x 900mm
	07.6.1200R	1200mm x 600mm x 900mm
	07.6.1500L	1500mm x 600mm x 900mm
	07.6.1500R	1500mm x 600mm x 900mm
	07.6.1650L	1650mm x 600mm x 900mm
	07.6.1650R	1650mm x 600mm x 900mm
	07.7.1200L	1200mm x 700mm x 900mm (150mm bevelled upstand)
	07.7.1200R	1200mm x 700mm x 900mm (150mm bevelled upstand)
	07.7.1500L	1500mm x 700mm x 900mm (150mm bevelled upstand)
	07.7.1500R	1500mm x 700mm x 900mm (150mm bevelled upstand)
	07.7.1650L	1650mm x 700mm x 900mm (150mm bevelled upstand)
	07.7.1650R	1650mm x 700mm x 900mm (150mm bevelled upstand)