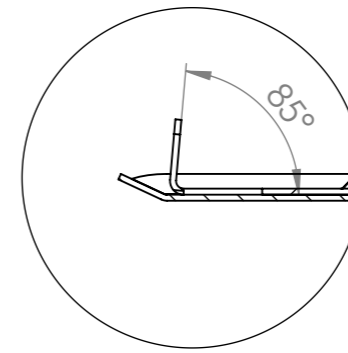
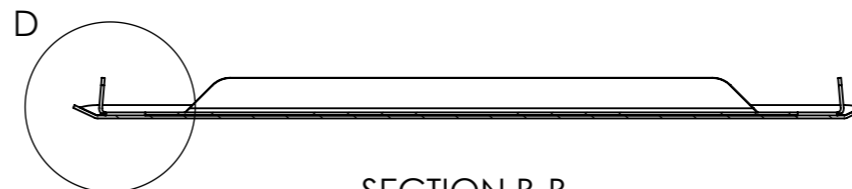


8mm RADIUS  
ON ALL CORNERS

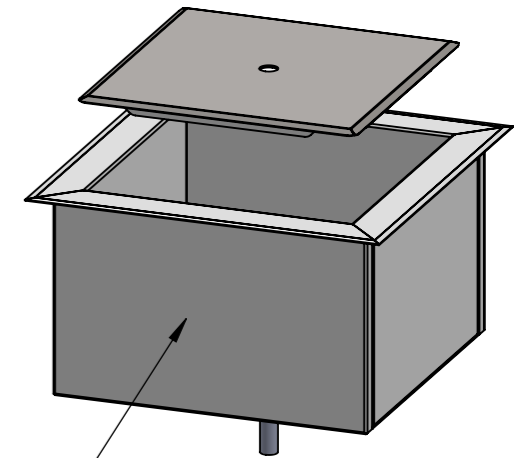
DETAIL E



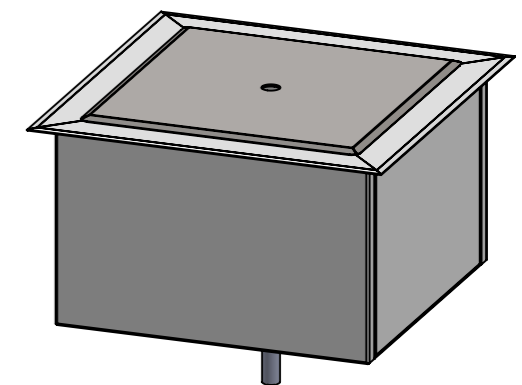
DETAIL D



SECTION B-B



41-IWS  
(not included illustration only)



**SIMPLY**  
**STAINLESS**

Simply Bar Solutions

COPYRIGHT © 2020

This drawing is the property of CI GROUP PTY LTD. Tradings as SIMPLY BARS and It may not be copied, reproduced or modified in whole or in part without prior written permission of CI GROUP PTY LTD. SIMPLY BARS reserves the right to change specification and design without notice.

**41-IWSL**  
**ICE WELL SMALL LID**

SIZE: A3

SCALE: 1:3

CONSTRUCTION NOTES:

1. MADE FROM 1.2mm STAINLESS STEEL.
2. NO. 4 FINNISH

**41-IWSL**