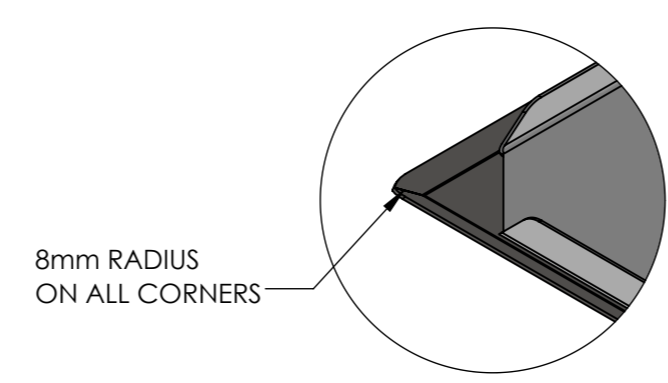
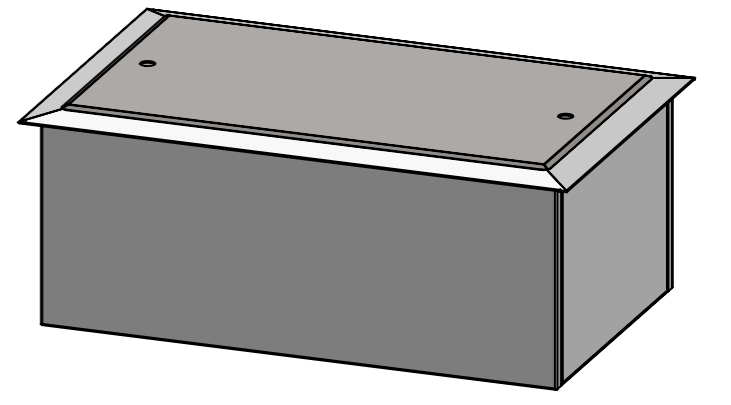
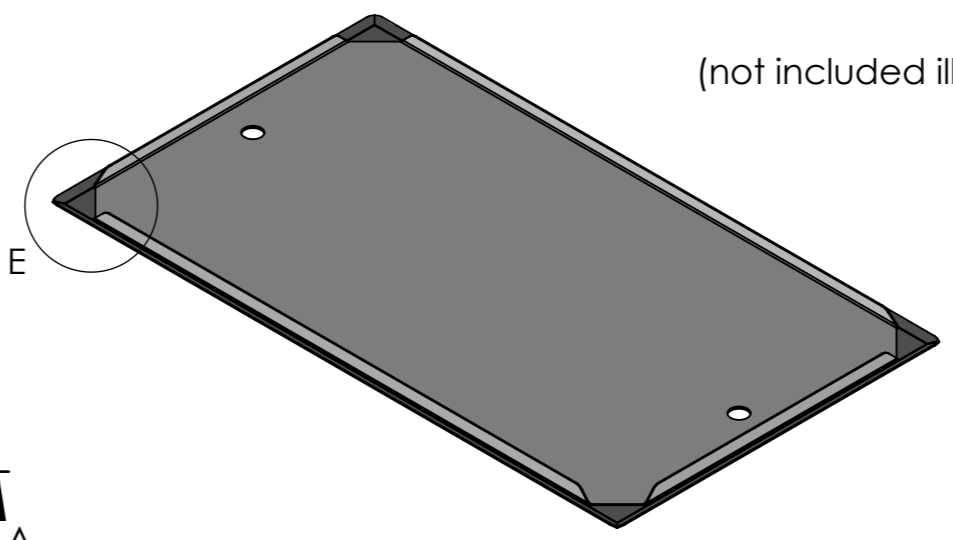
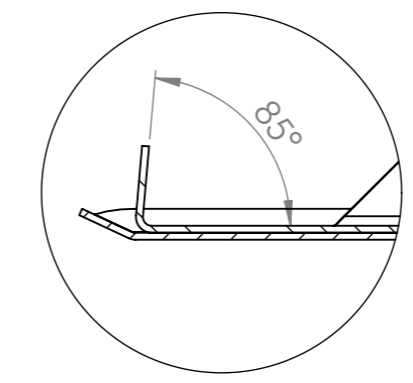


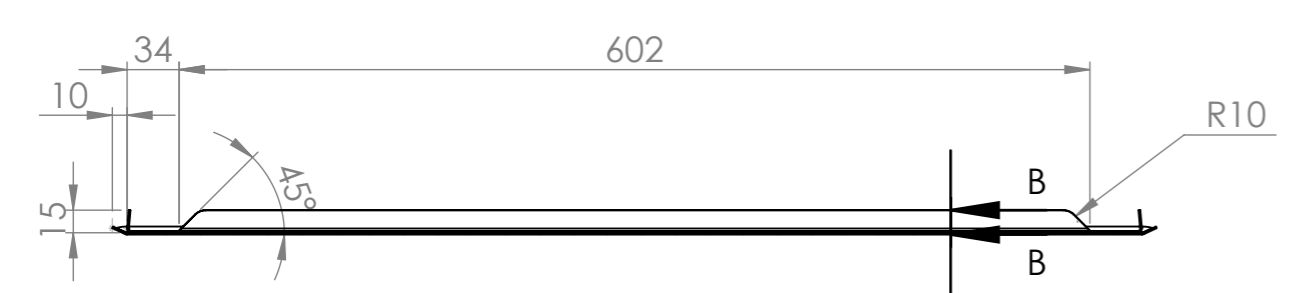
41-IWB
(not included illustration only)



DETAIL E



DETAIL D



SECTION A-A



SECTION B-B

41-IWBL

SIMPLY STAINLESS
Simply Bar Solutions
COPYRIGHT © 2020

This drawing is the property of CI GROUP PTY LTD. Tradings as SIMPLY BARS and It may not be copied, reproduced or modified in whole or in part without prior written permission of CI GROUP PTY LTD. SIMPLY BARS reserves the right to change specification and design without notice.

41-IWBL
ICE WELL BIG LID

SIZE: A3

SCALE : 1:3

CONSTRUCTION NOTES :

1. MADE FROM 1.2mm STAINLESS STEEL.
2. NO. 4 FINNISH