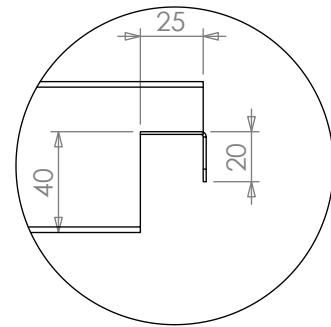
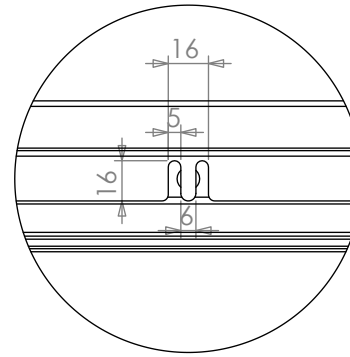


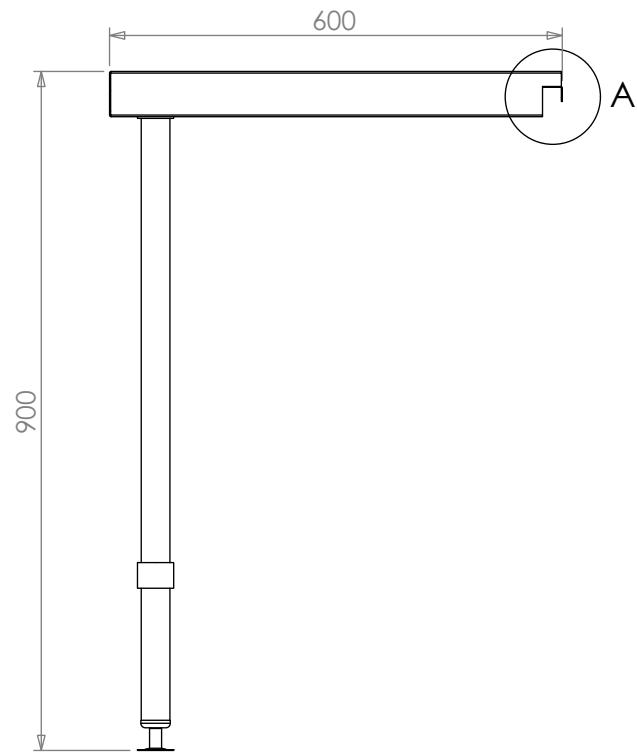
PLAN



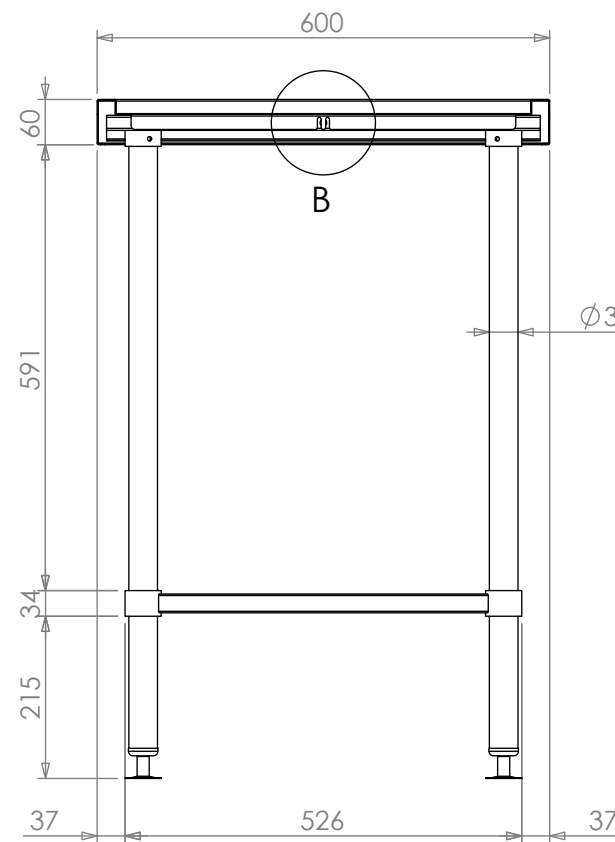
DETAIL A



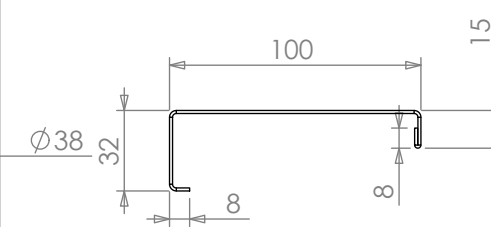
DETAIL B



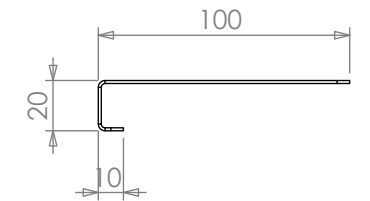
FRONT ELEVATION



SIDE ELEVATION



REINFORCING CHANNEL I
DETAIL



REINFORCING CHANNEL II
DETAIL

37-6-0600

SIMPLY STAINLESS
 www.simplystainless.com
 Modular Sinks Tables and Shelving
 COPYRIGHT © 2018

This drawing is the property of CI GROUP PTY LTD. Tradings as SIMPLY STAINLESS and It may not be copied, reproduced or modified in whole or in part without prior written permission of CI GROUP PTY LTD. SIMPLY STAINLESS reserves the right to change specification and design without notice.

37-6-0600
DISHWASH ENTRY/EXIT

SCALE : 1:20

CONSTRUCTION NOTES :

1. TOPS MADE FROM 304 GRADE, 1.2mm STAINLESS STEEL.
2. REINFORCING CHANNEL I & II MADE FROM 1.2mm STAINLESS STEEL.
3. FRAME MADE FROM 25x25mm STAINLESS STEEL SQUARE TUBE
4. UNDERSHELF MADE FROM 1.2mm STAINLESS STEEL WITH STAINLESS STEEL TUBE SUPPORT.
5. FEET ARE ADJUSTABLE STAINLESS STEEL DISC SHAPED FEET.