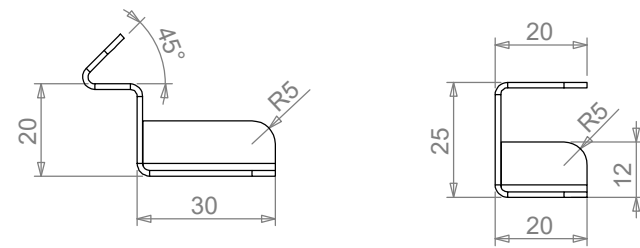
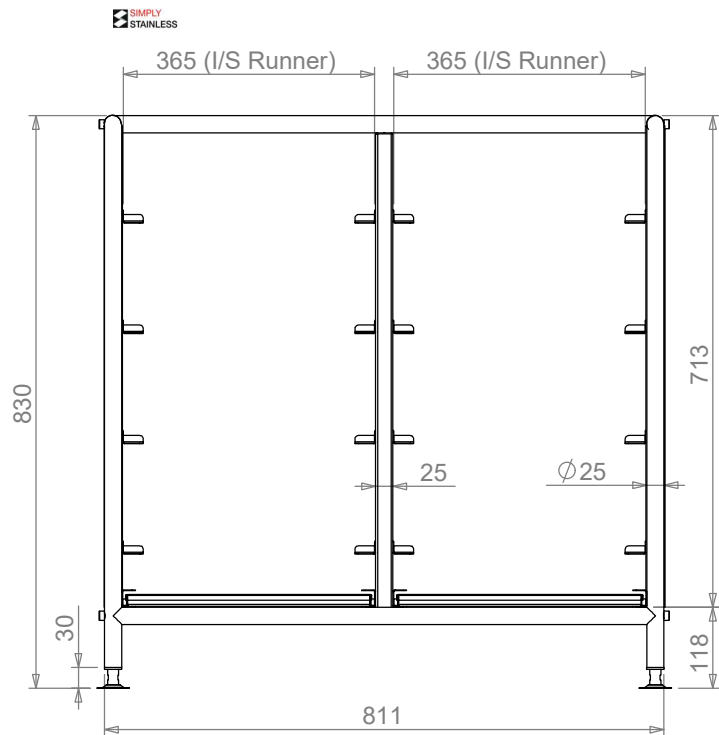
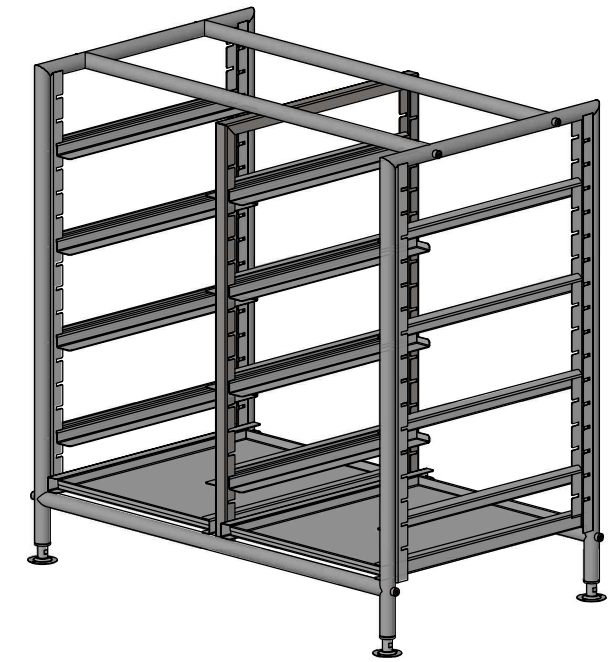


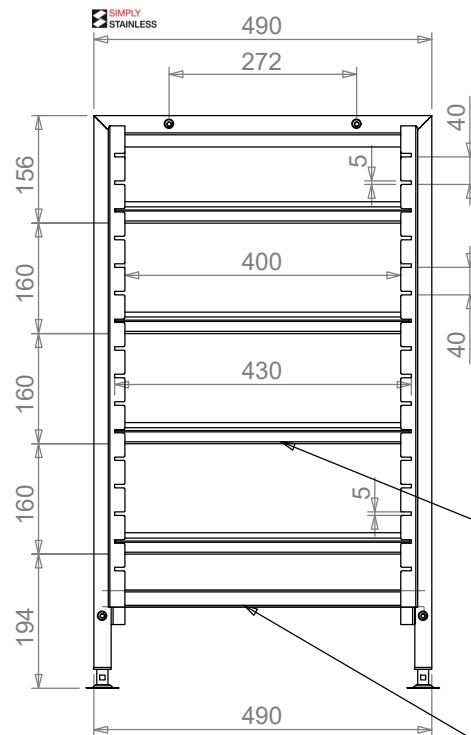
PLAN



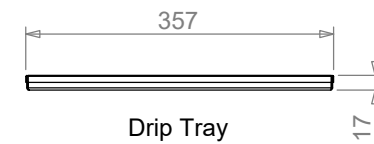
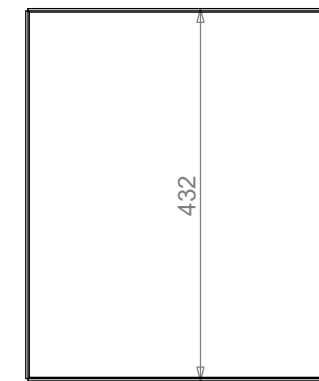
Adjustable glass rack runner profile Drip tray runner profile



FRONT ELEVATION

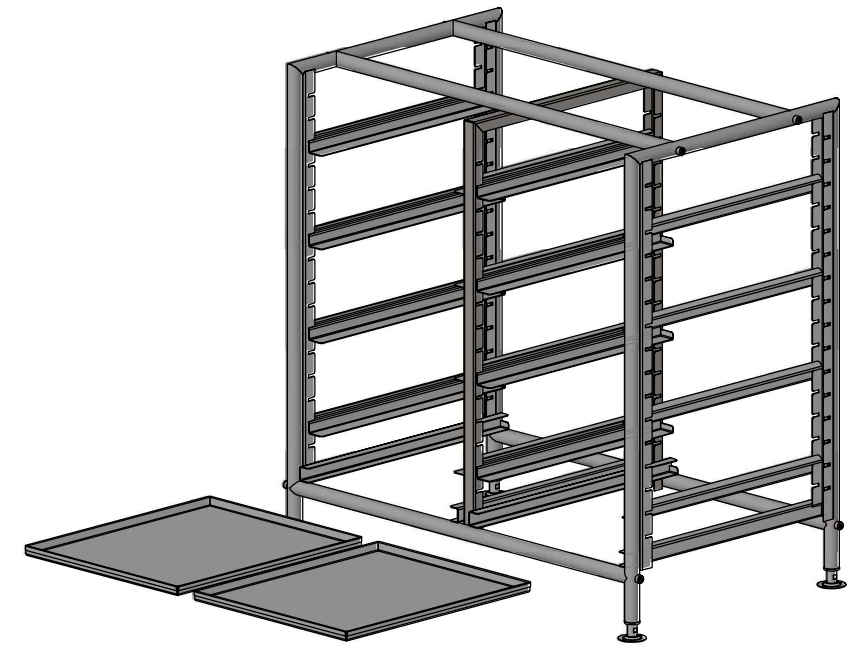


SIDE ELEVATION



Adjustable Glass Rack

Drip Tray



36-DGR



www.simplystainless.com
Modular Sinks Tables and Shelving
COPYRIGHT © 2020

This drawing is the property of CI GROUP PTY LTD. Tradings as SIMPLY STAINLESS and It may not be copied, reproduced or modified in whole or in part without prior written permission of CI GROUP PTY LTD. SIMPLY STAINLESS reserves the right to change specification and design without notice.

**36-DGR
DOUBLE GLASS RACK**

SCALE : 1:15

CONSTRUCTION NOTES :

1. FRAME MADE FROM Ø25mm STAINLESS STEEL TUBE.
2. FEET ARE STAINLESS STEEL ADJUSTABLE DISC SHAPE.
3. DRIP TRAY 1.2mm STAINLESS STEEL.