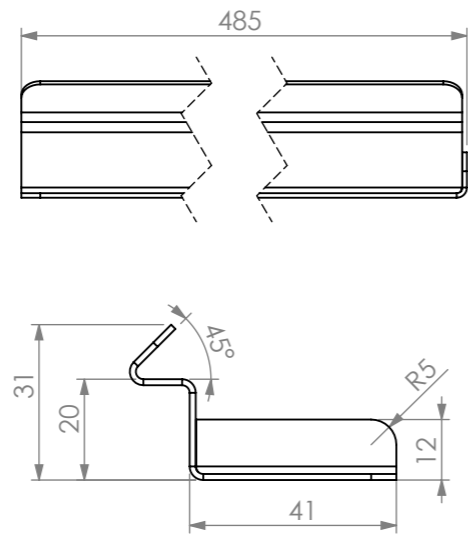
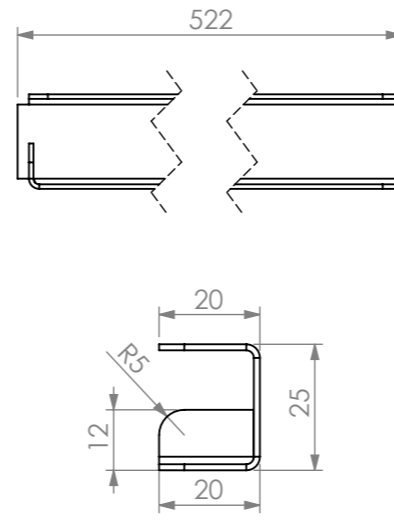


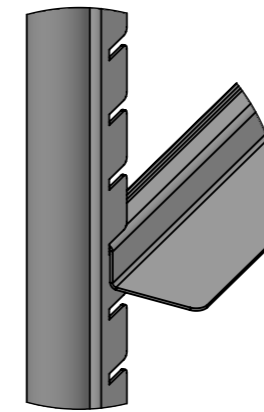
PLAN



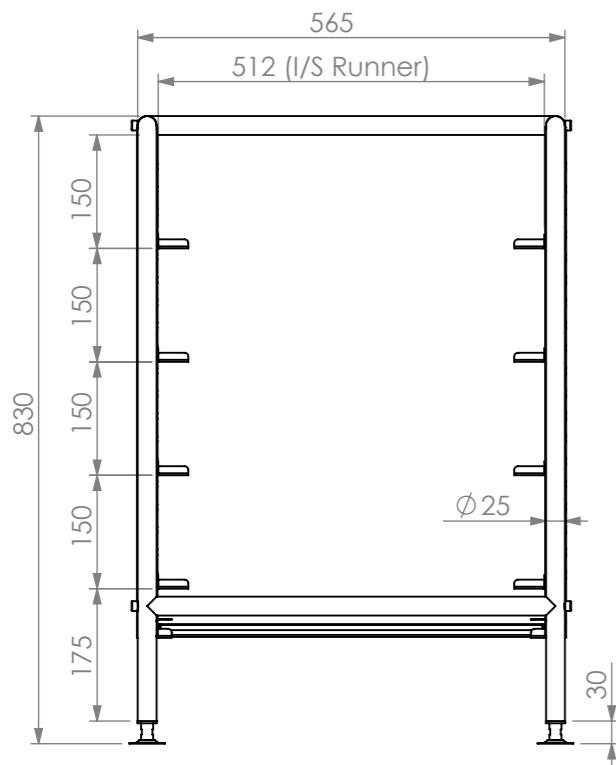
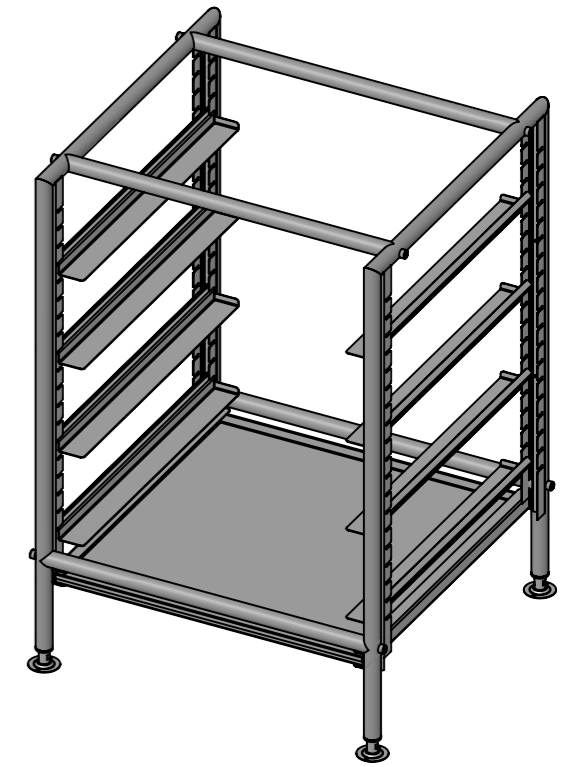
Adjustable Runner Profile



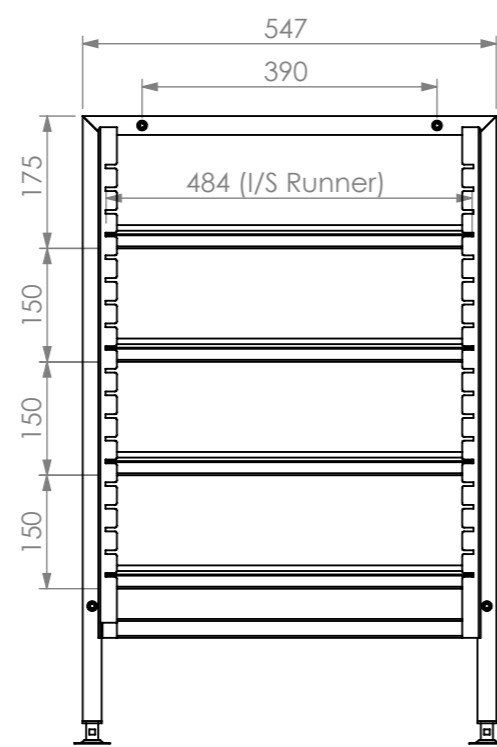
Drip Tray Runner Profile



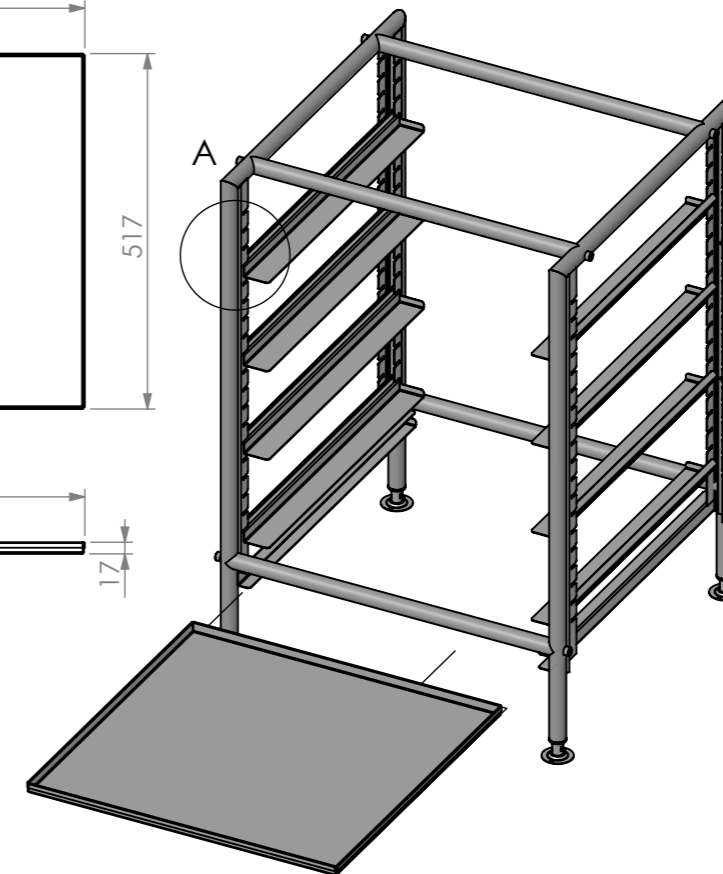
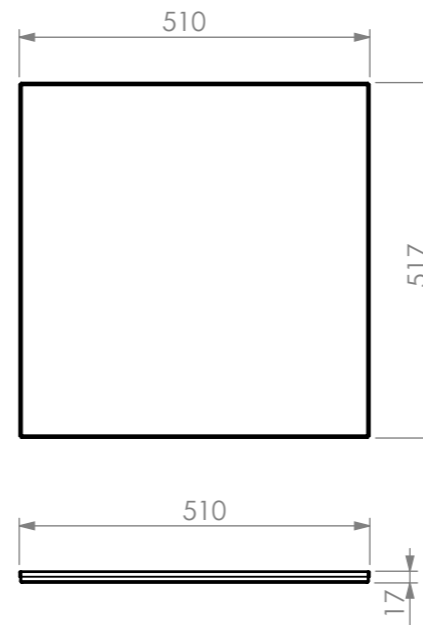
Detail A



FRONT ELEVATION



SIDE ELEVATION



36-DBS

SIMPLY STAINLESS

www.simplystainless.com
Modular Sinks Tables and Shelving
COPYRIGHT © 2019

This drawing is the property of CI GROUP PTY LTD. Tradings as SIMPLY STAINLESS and it may not be copied, reproduced or modified in whole or in part without prior written permission of CI GROUP PTY LTD. SIMPLY STAINLESS reserves the right to change specification and design without notice.

**36 - DBS
DISHWASH BASKET STAND**

SCALE : 1:20

CONSTRUCTION NOTES :

1. ADJUSTABLE RUNNERS MADE FROM 1.2mm STAINLESS STEEL.
2. FRAME MADE FROM $\phi 25$ mm STAINLESS STEEL TUBE.
3. DRIP TRAY MADE FROM 1.2mm STAINLESS STEEL.
4. FEET ARE ADJUSTABLE STAINLESS STEEL DISC SHAPED FEET.