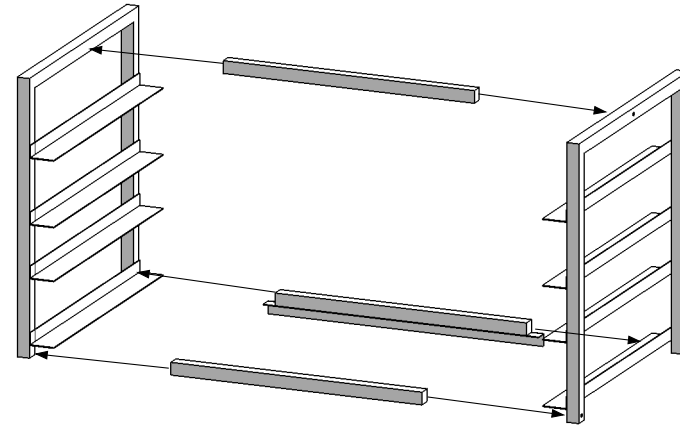


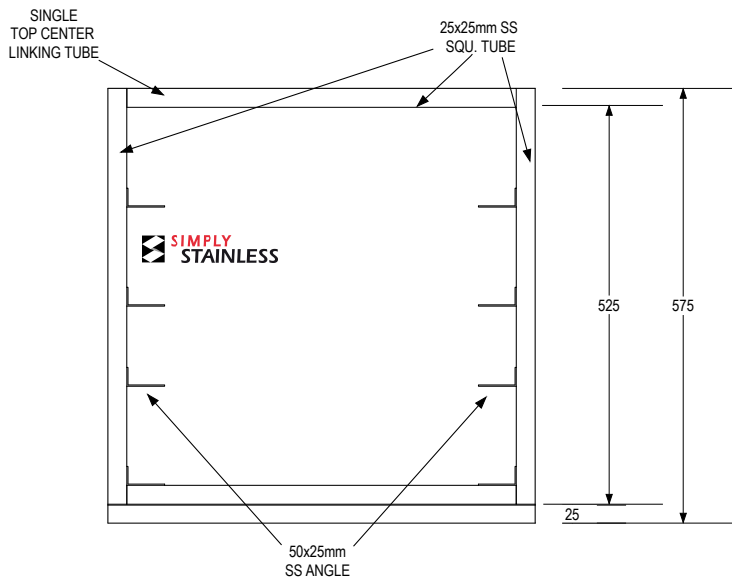
PLAN



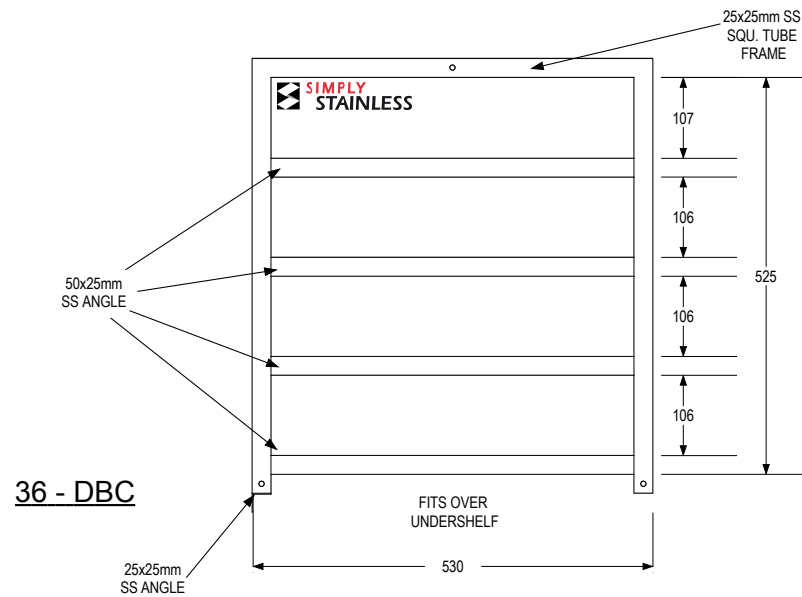
ASSEMBLING ELEVATION



TRIMETRIC ELEVATION



FRONT ELEVATION



SIDE ELEVATION

**SIMPLY STAINLESS**  
[www.simplystainless.com](http://www.simplystainless.com)  
 Modular Sinks Tables and Shelving

COPYRIGHT © 2012  
 This drawing is the property of CI GROUP PTY LTD. Tradings as SIMPLY STAINLESS and it may not be copied, reproduced or modified in whole or in part without prior written permission of CI GROUP PTY LTD.

**36 - DBC DISHWASH CASSETTE**

SCALE: 1:10

CONSTRUCTION NOTES :

1. ANGLE MADE FROM 1.6mm STAINLESS STEEL.
2. FRAME MADE FROM 25 x 25 x 1.2mm STAINLESS STEEL TUBE.