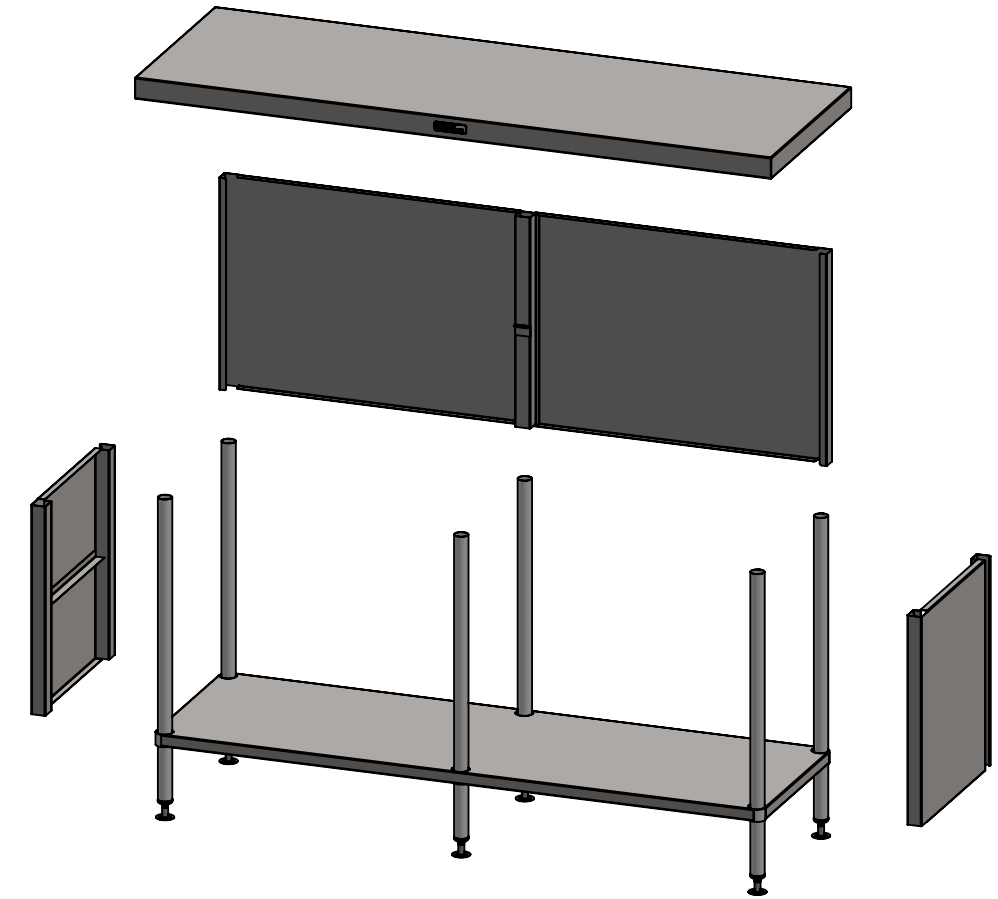
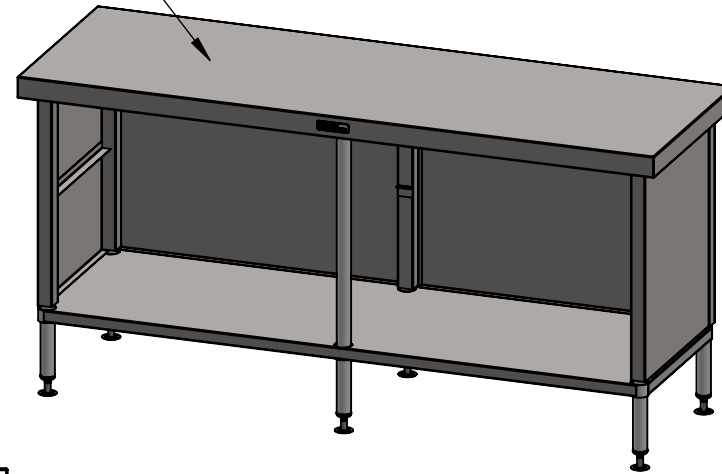
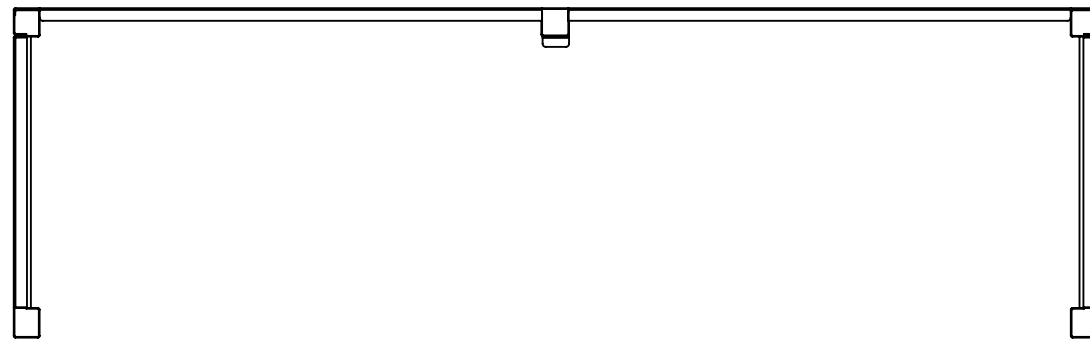


01-6-1800
(not included, illustration only)

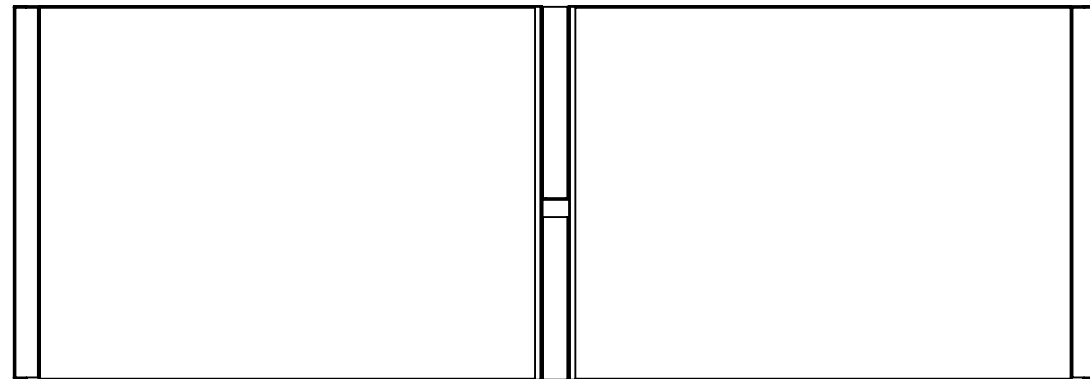


SIMPLY STAINLESS



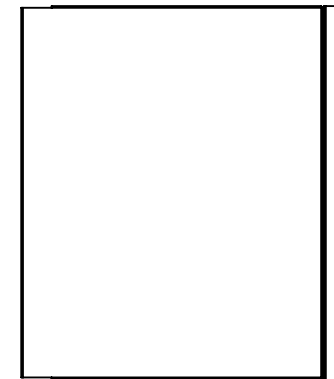
PLAN

SIMPLY STAINLESS



FRONT ELEVATION

SIMPLY STAINLESS



SIDE ELEVATION

SIMPLY STAINLESS
Modular Sinks, Tables & Shelving

COPYRIGHT © 2023

This drawing is the property of CI GROUP PTY LTD. Tradings as SIMPLY STAINLESS and It may not be copied, reproduced or modified in whole or in part without prior written permission of CI GROUP PTY LTD. SIMPLY STAINLESS reserves the right to change specification and design without notice.

**32-CCK-6-1800
COUNTER CONVERSION KIT**

SIZE: A3

SCALE : NTS

CONSTRUCTION NOTES :

1. MADE FROM 1.2mm STAINLESS STEEL.
2. TO SUIT 01,02,03,05 & 06, 600 SERIES BENCHES

32-CCK-6-1800

