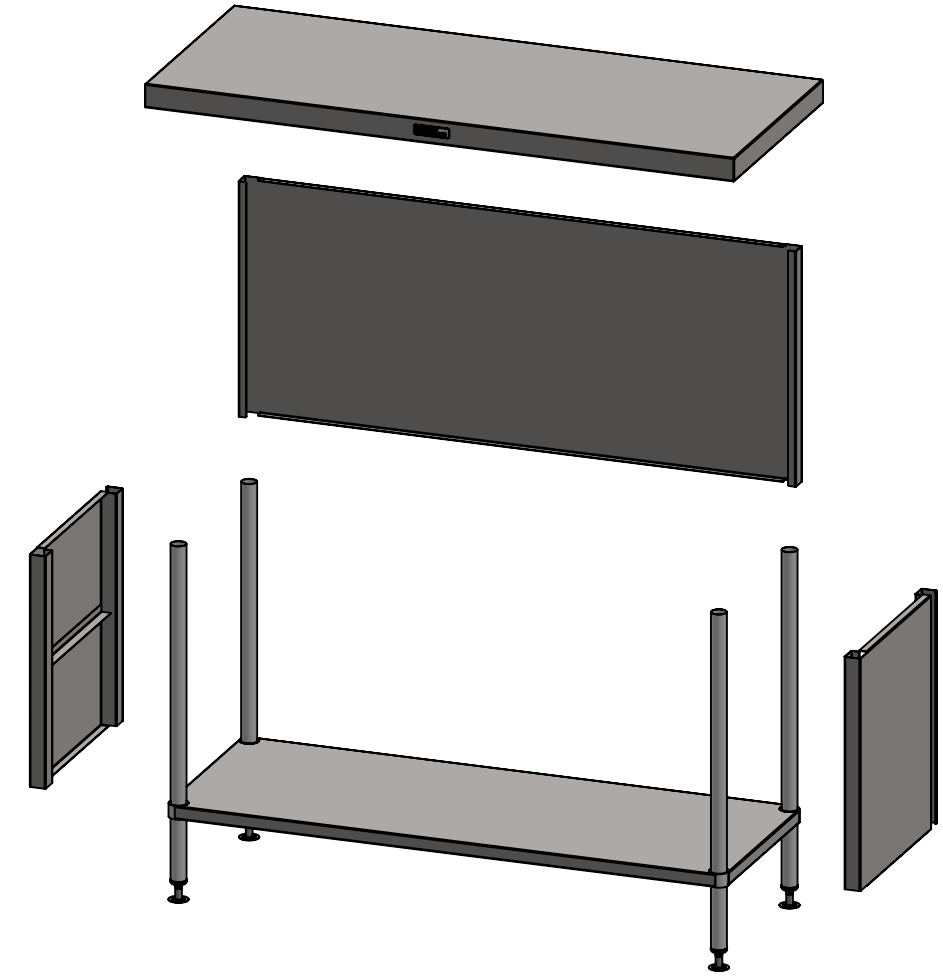
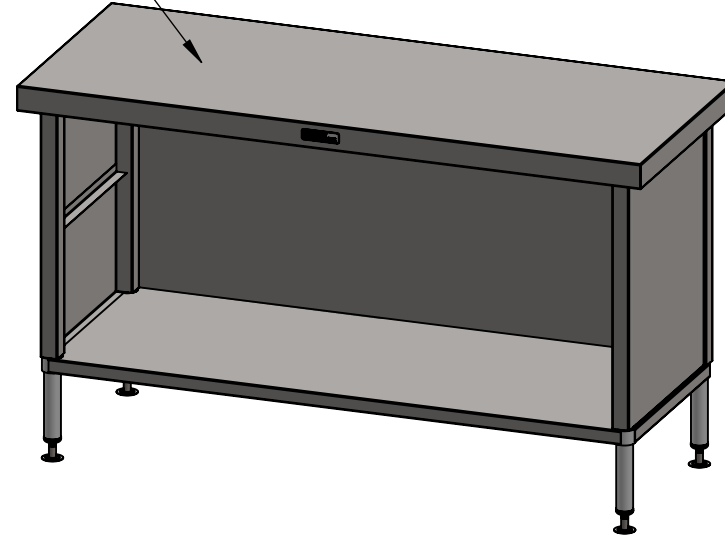


01-6-1500  
(not included, illustration only)

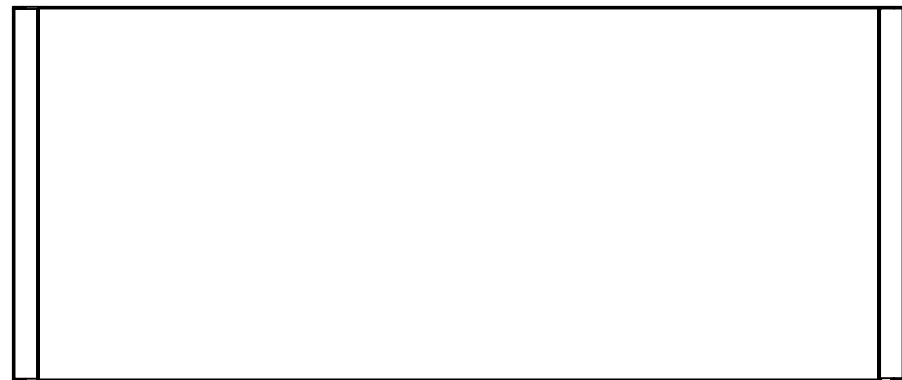


 SIMPLY  
STAINLESS



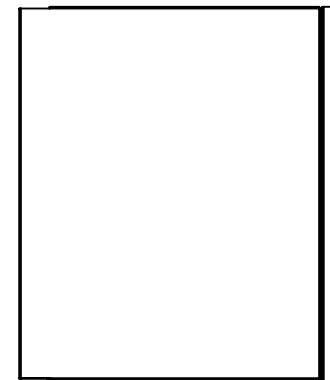
PLAN

 SIMPLY  
STAINLESS



FRONT ELEVATION

 SIMPLY  
STAINLESS



SIDE ELEVATION

 **SIMPLY  
STAINLESS**

Modular Sinks, Tables & Shelving

COPYRIGHT © 2023

This drawing is the property of CI GROUP PTY LTD. Tradings as SIMPLY STAINLESS and It may not be copied, reproduced or modified in whole or in part without prior written permission of CI GROUP PTY LTD. SIMPLY STAINLESS reserves the right to change specification and design without notice.

**32-CCK-6-1500  
COUNTER CONVERSION KIT**

SIZE: A3

SCALE : NTS

CONSTRUCTION NOTES :

1. MADE FROM 1.2mm STAINLESS STEEL.
2. TO SUIT 01,02,03,05 & 06, 600 SERIES BENCHES

**32-CCK-6-1500**

