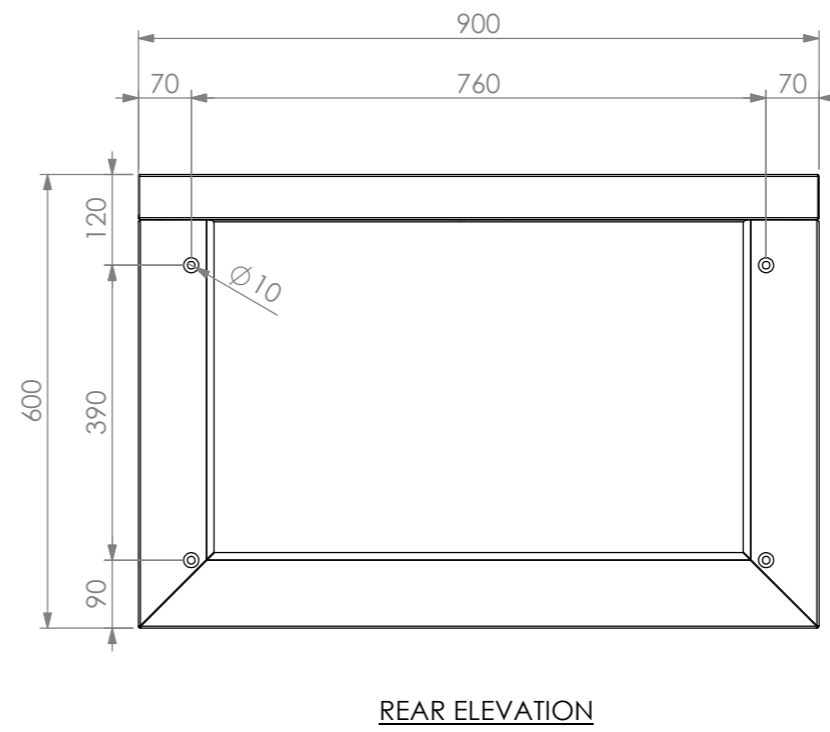


**29-WC-0900**



**SIMPLY STAINLESS**  
www.simplystainless.com

Modular Sinks Tables and Shelving

COPYRIGHT © 2020

This drawing is the property of CI GROUP PTY LTD. Tradings as SIMPLY STAINLESS and It may not be copied, reproduced or modified in whole or in part without prior written permission of CI GROUP PTY LTD. SIMPLY STAINLESS reserves the right to change specification and design without notice.

**29-WC-0900 WALL CUPBOARD**

SCALE : 1:15

**CONSTRUCTION NOTES :**

1. TOPS & SIDES MADE FROM 1.2mm STAINLESS STEEL.
2. MIDSHELF MADE FROM 1.2mm STAINLESS STEEL.