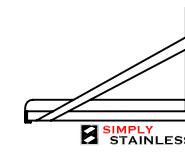
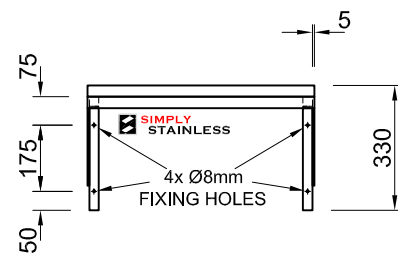


PLAN

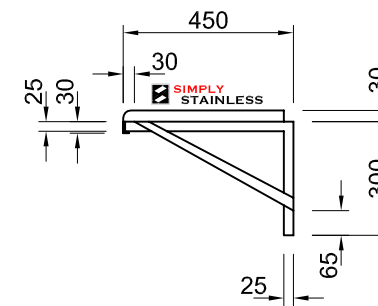


WALL MOUNTING BRACKETS CAN BE REVERSED SUBJECT TO SITE REQUIREMENTS

ALTERNATIVE MOUNTING SIDE ELEVATION



FRONT ELEVATION



SIDE ELEVATION

28-MV-0450



www.simplystainless.com
Modular Sinks Tables and Shelving

CI GROUP PTY LTD COPYRIGHT ©

This drawing is the property of CI GROUP PTY LTD trading as SIMPLY STAINLESS, and it may not be copied, reproduced or modified in whole or in part, without prior written permission of CI GROUP PTY LTD.

28-MV-0450 MICROWAVE SHELF

SCALE 1:20

CONSTRUCTION NOTES:

1. TOPS MADE FROM 1.2mm STAINLESS STEEL.
2. TUBE MADE FROM 25x25x1.2mm STAINLESS STEEL.
3. FLAT BAR MADE FROM 25x3mm STAINLESS STEEL.