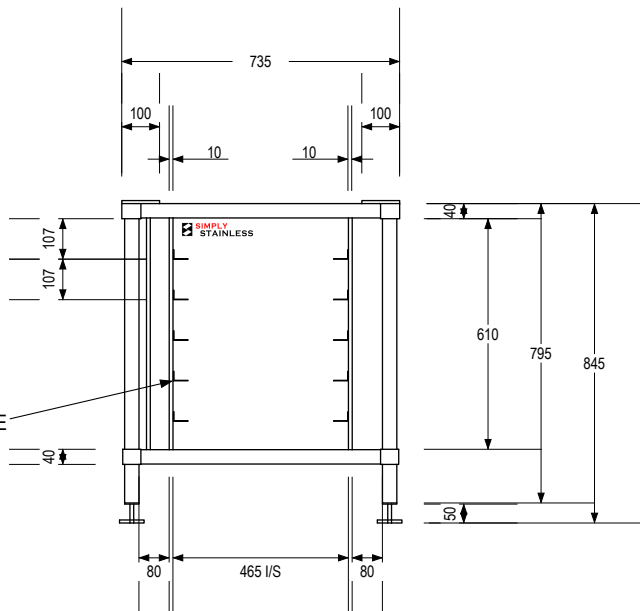
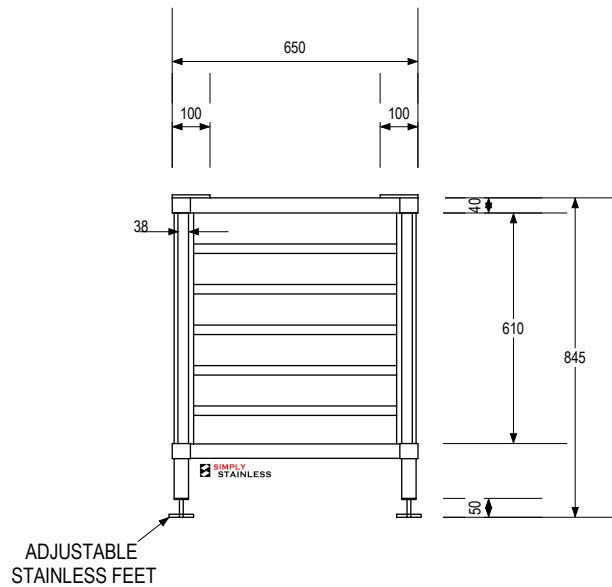


PLAN



CASSETTE FRAME

FRONT ELEVATION



ADJUSTABLE
STAINLESS FEET

SIDE ELEVATION

27 - E32

SIMPLY STAINLESS
 www.simplystainless.com
 Modular Sinks Tables and Shelving
 COPYRIGHT © 2012
 This drawing is the property of CI GROUP PTY LTD. Tradings as SIMPLY STAINLESS and It may not be copied, reproduced or modified in whole or in part without prior written permission of CI GROUP PTY LTD. SIMPLY STAINLESS reserves the right to change specification and design without notice.

27 - E32 TURBOFAN STAND

SCALE: 1:20

CONSTRUCTION NOTES :

1. FRAME MADE FROM Ø38STAINLESS STEEL TUBE.
2. UNDERSHELF MADE FROM 1.2mm STAINLESS STEEL.
3. FEET ARE ADJUSTABLE STAINLESS STEEL DISC SHAPED FEET.