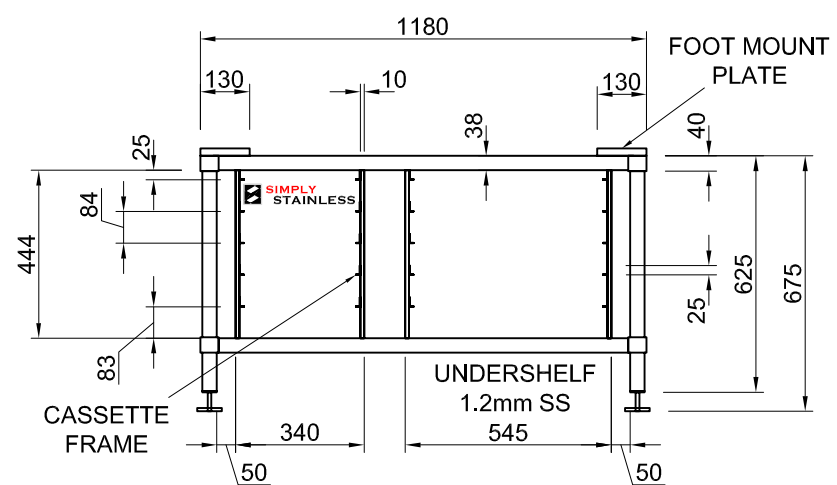
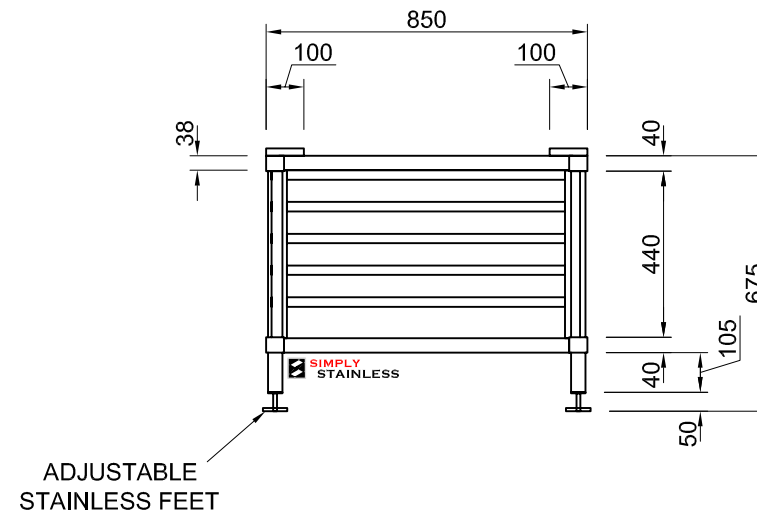


PLAN



FRONT ELEVATION



SIDE ELEVATION

27-CONV 6.20 & 10.20



CI GROUP PTY LTD COPYRIGHT ©

This drawing is the property of CI GROUP PTY LTD trading as SIMPLY STAINLESS, and it may not be copied, reproduced or modified in whole or in part, without prior written permission of CI GROUP PTY LTD.

**27-CONV 6.20 & 10.20  
STAND**

SCALE 1:20