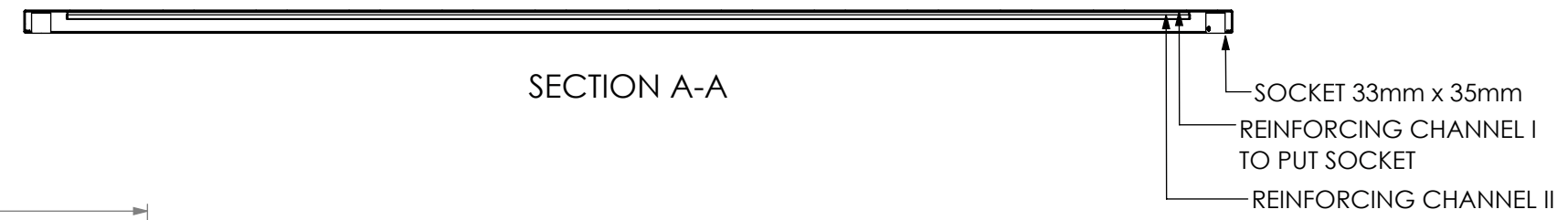
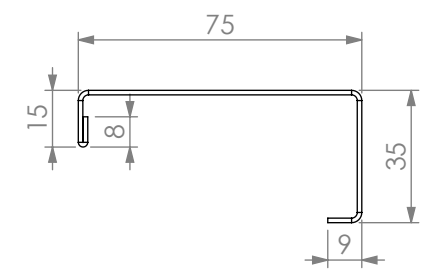
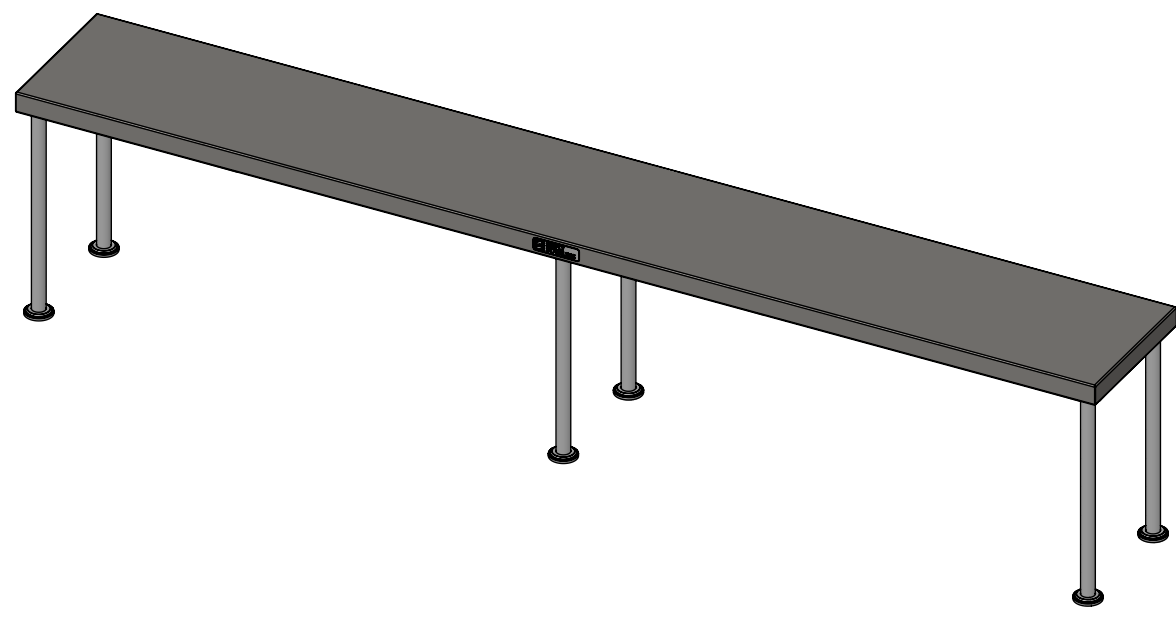


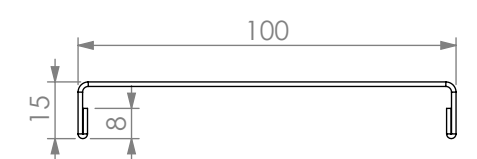
PLAN



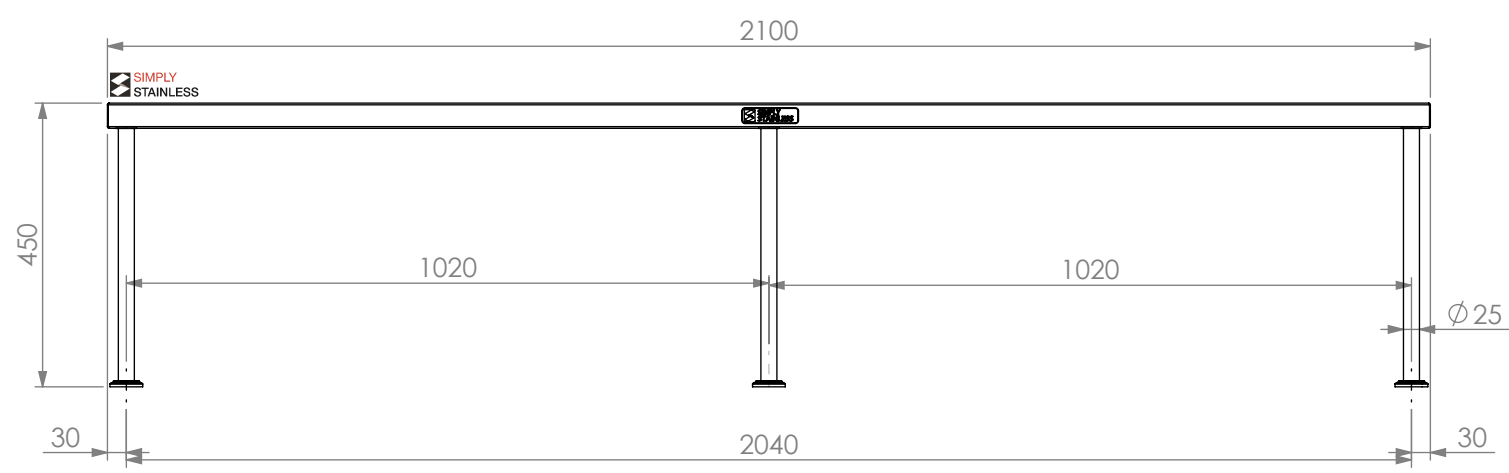
SECTION A-A



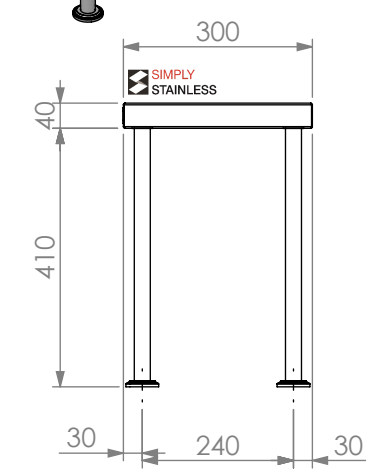
REINFORCING CHANNEL II DETAIL



REINFORCING CHANNEL I DETAIL



FRONT ELEVATION



SIDE ELEVATION

12-2100



Modular Sinks, Tables & Shelving
COPYRIGHT © 2022

This drawing is the property of CI GROUP PTY LTD. Tradings as SIMPLY STAINLESS and It may not be copied, reproduced or modified in whole or in part without prior written permission of CI GROUP PTY LTD. SIMPLY STAINLESS reserves the right to change specification and design without notice.

**12-2100
SINGLE OVERSHELF**

SIZE: A3 SCALE : 1:12

- CONSTRUCTION NOTES :**
1. TOPS AND SIDE MADE FROM 1.2mm STAINLESS STEEL.
 2. REINFORCING CHANNELS MADE FROM 1.2mm STAINLESS STEEL.
 3. FRAME MADE FROM Ø25mm STAINLESS STEEL TUBE.
 4. FEET ARE ADJUSTABLE STAINLESS STEEL DISC SHAPED FEET.