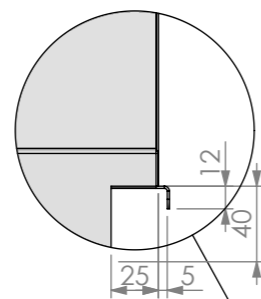
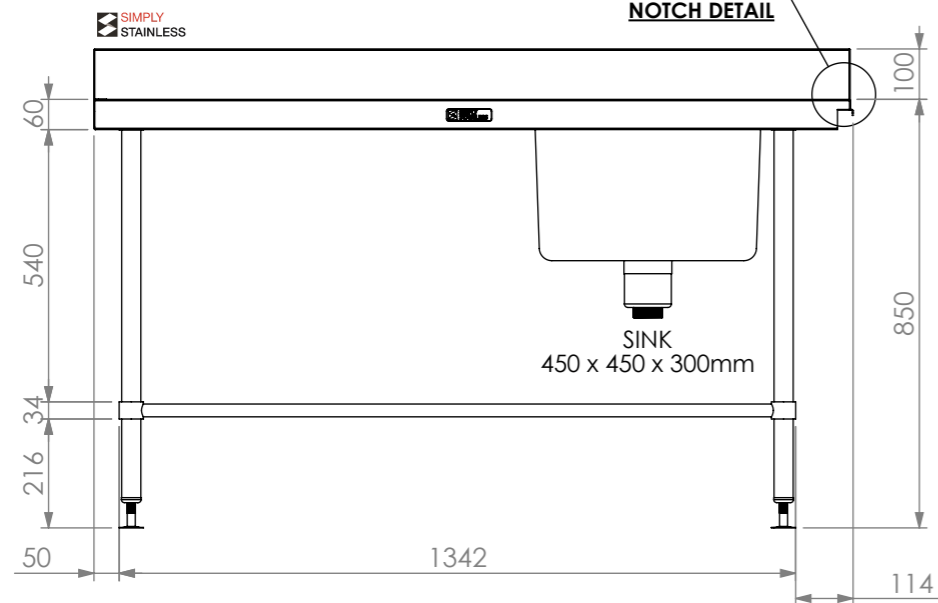


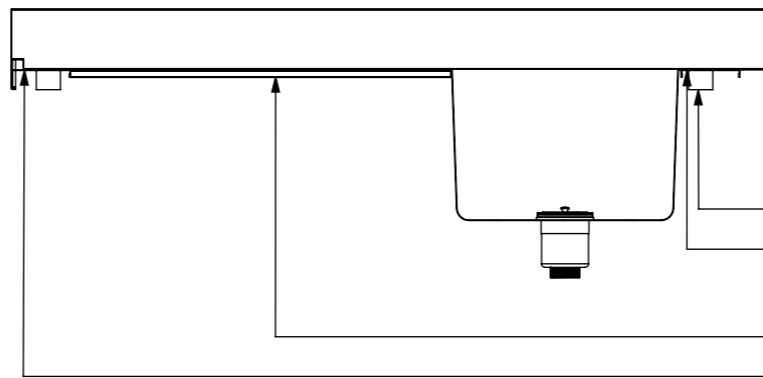
PLAN



NOTCH DETAIL

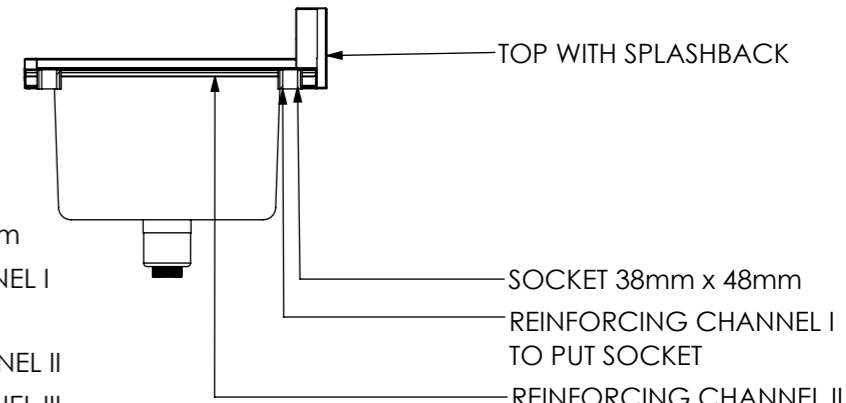


FRONT ELEVATION



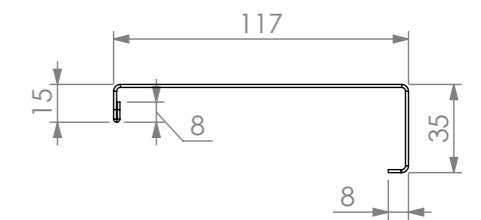
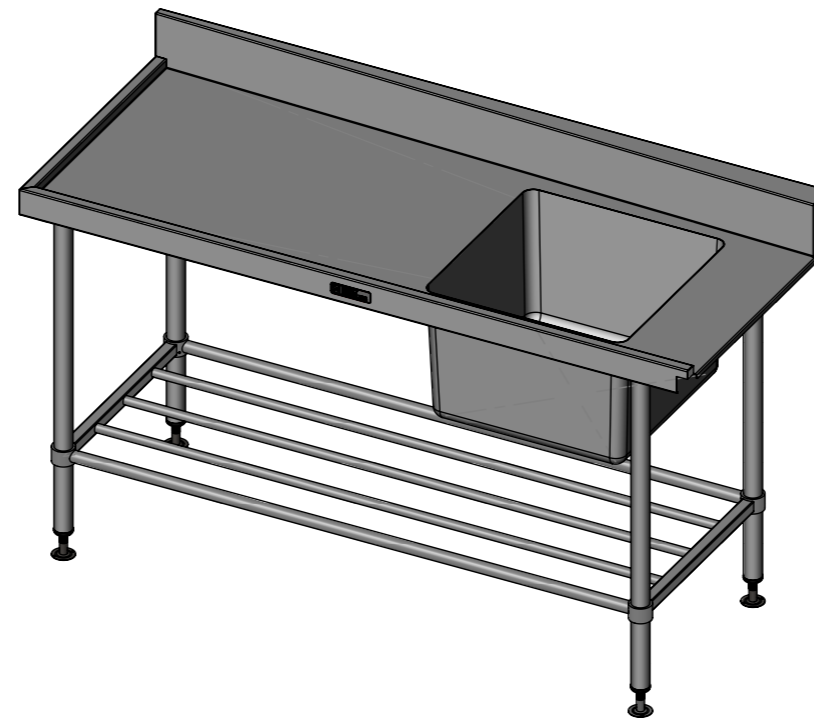
SECTION K-K

SOCKET 38mm x 48mm  
 REINFORCING CHANNEL I TO PUT SOCKET  
 REINFORCING CHANNEL II TO PUT SOCKET  
 REINFORCING CHANNEL III TO PUT SOCKET

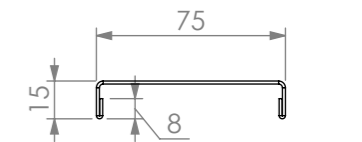


SECTION J-J

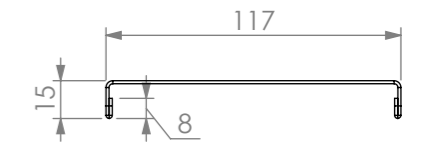
TOP WITH SPLASHBACK  
 SOCKET 38mm x 48mm  
 REINFORCING CHANNEL I TO PUT SOCKET  
 REINFORCING CHANNEL II TO PUT SOCKET



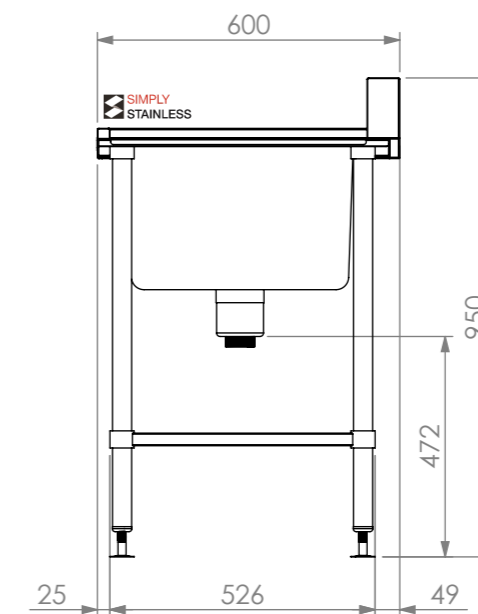
REINFORCING CHANNEL I DETAIL



REINFORCING CHANNEL II DETAIL



REINFORCING CHANNEL III DETAIL



SIDE ELEVATION

**SIMPLY STAINLESS**  
 Modular Sinks, Tables & Shelving  
 COPYRIGHT © 2022  
 This drawing is the property of CI GROUP PTY LTD. Tradings as SIMPLY STAINLESS and it may not be copied, reproduced or modified in whole or in part without prior written permission of CI GROUP PTY LTD. SIMPLY STAINLESS reserves the right to change specification and design without notice.

**08-6-1500L**  
**DISHWASH INLET BENCH**

SIZE: A3

SCALE: 1:15

CONSTRUCTION NOTES:

1. TOPS MADE FROM 304 GRADE 1.2mm STAINLESS STEEL.
2. REINFORCING CHANNEL I, II & III MADE FROM 1.2mm STAINLESS STEEL.
3. SINKS MADE FROM 1.2mm STAINLESS STEEL.
4. FRAME MADE FROM Ø38mm STAINLESS STEEL TUBE.
5. POTRAIL MADE FROM STAINLESS STEEL ROUND TUBE & SQUARE TUBE.
6. FEET ARE ADJUSTABLE STAINLESS STEEL DISC SHAPED FEET.
7. WATERCORP & WATERMARK APPROVED SINK WASTE INCLUDED.

**08-6-1500L**