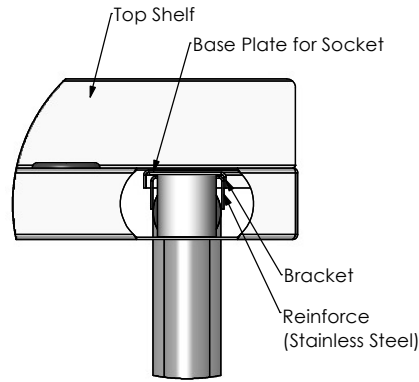
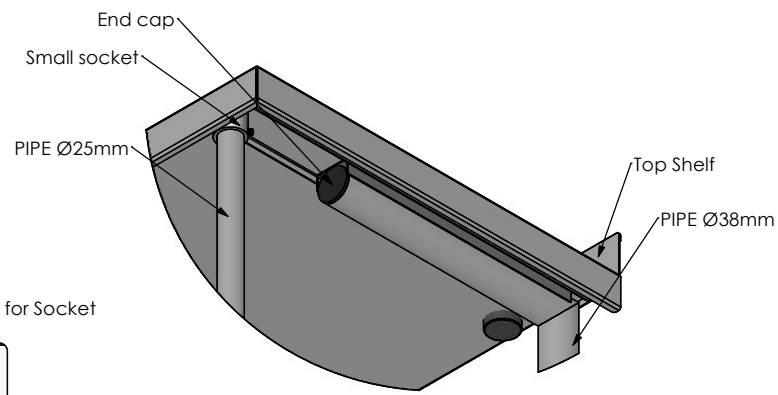


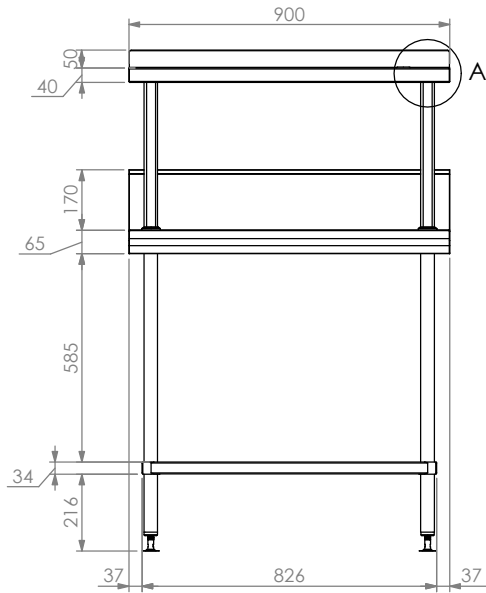
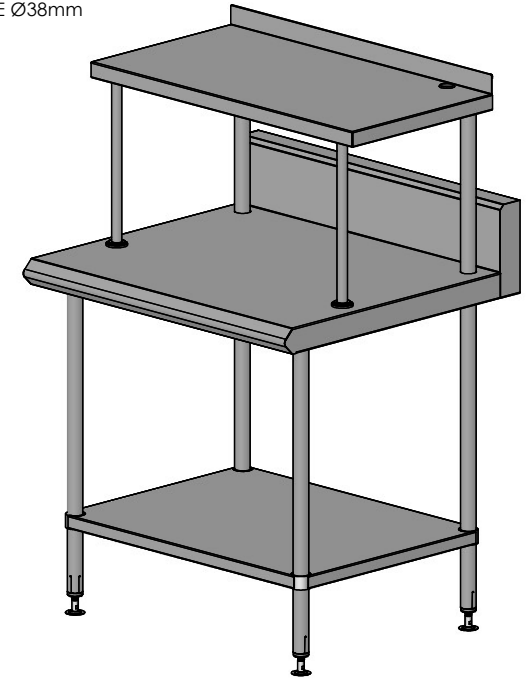
PLAN VIEW



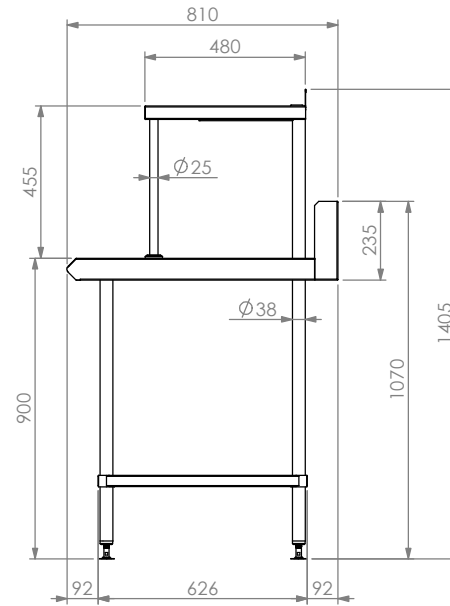
DETAIL A



BOTTOM VIEW ON SHELF



FRONT VIEW



SIDE VIEW

18-BS



Modular Sinks Tables and Shelving  
 COPYRIGHT © 2018  
 This drawing is the property of CI GROUP PTY LTD. Tradings as SIMPLY STAINLESS and It may not be copied, reproduced or modified in whole or in part without prior written permission of CI GROUP PTY LTD. SIMPLY STAINLESS reserves the right to change specification and design without notice.

**18 BLUE SEAL  
 SALAMANDER BENCH**

SIZE: A3 SCALE: 1:15

**CONSTRUCTION NOTES :**

1. TOPS MADE FROM 304 GRADE, 1.2mm STAINLESS STEEL.
2. CORE MADE FROM 3.0mm ZINC ANNEAL.
3. FRAME MADE FROM Ø38mm STAINLESS STEEL TUBE.
4. UNDERSHELF MADE FROM 1.2mm STAINLESS STEEL.
5. FEET ARE ADJUSTABLE STAINLESS STEEL DISC SHAPED FEET.