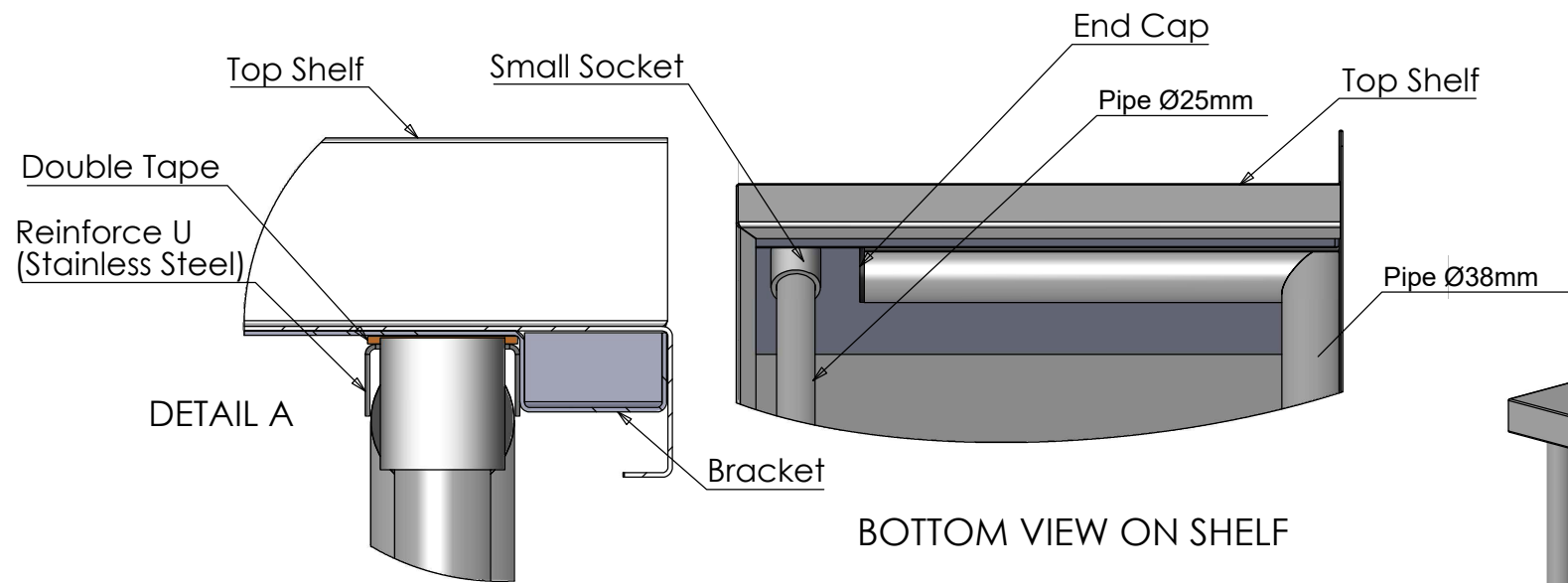
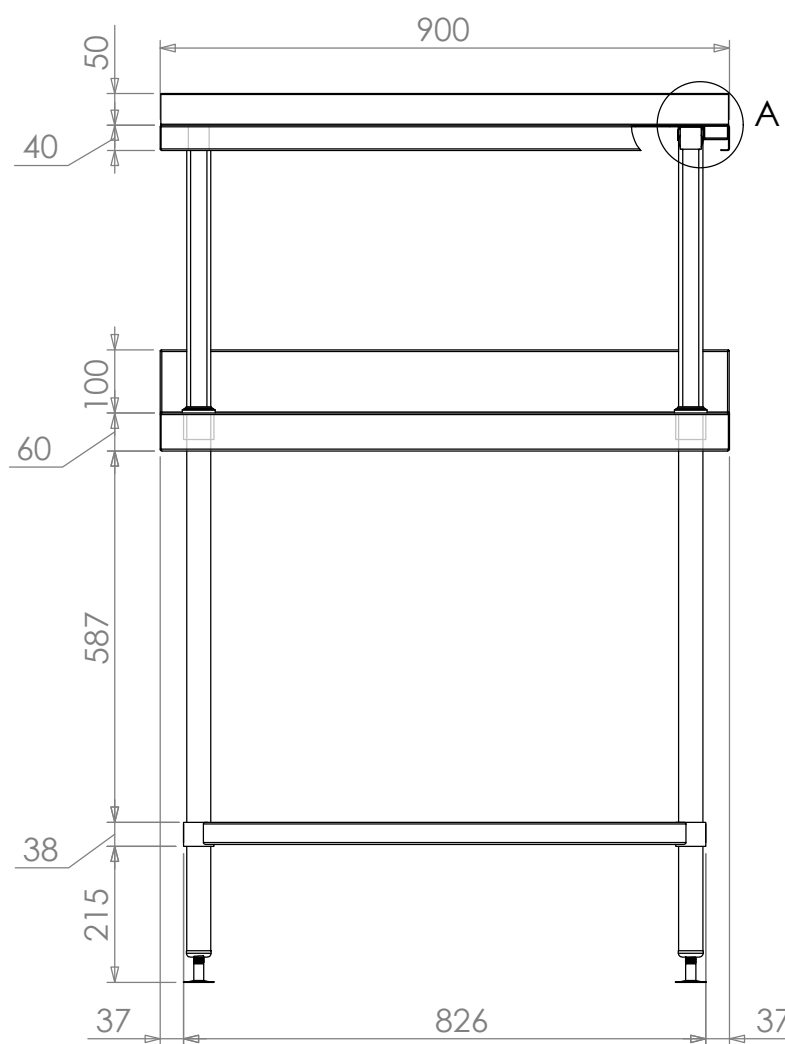
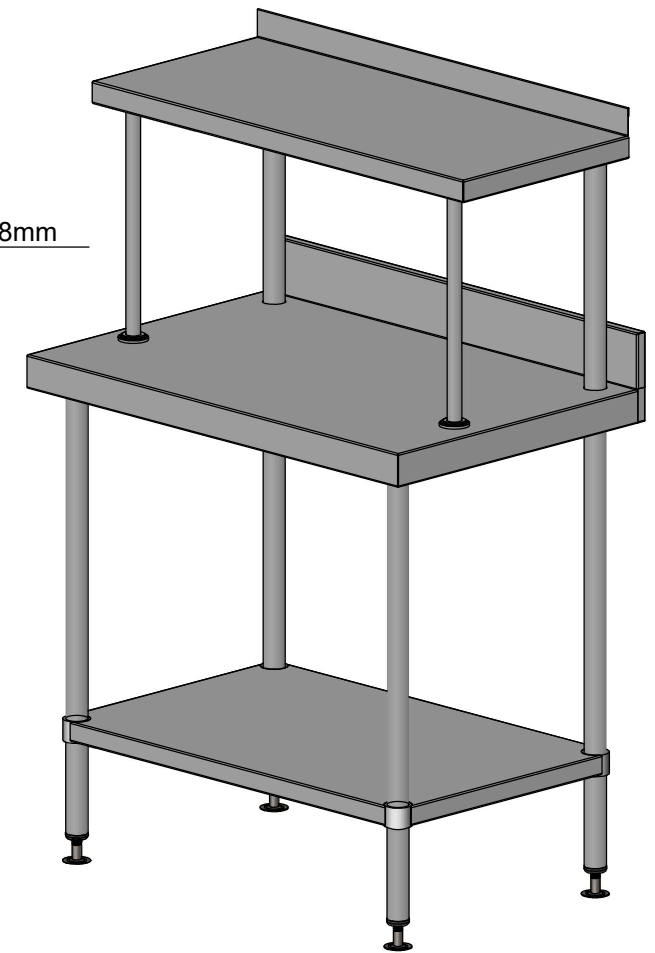


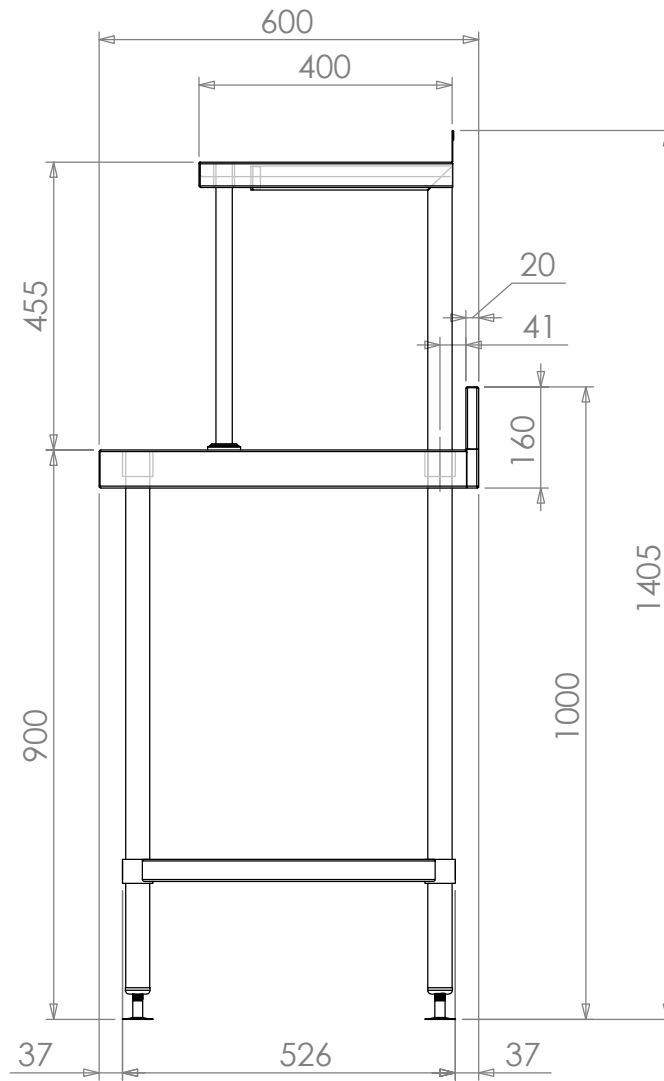
PLAN



BOTTOM VIEW ON SHELF



FRONT ELEVATION



SIDE ELEVATION

18-06-0900

SIMPLY STAINLESS
 www.simplystainless.com
 Modular Sinks Tables and Shelving
 COPYRIGHT © 2020

This drawing is the property of CI GROUP PTY LTD. Tradings as SIMPLY STAINLESS and It may not be copied, reproduced or modified in whole or in part without prior written permission of CI GROUP PTY LTD. SIMPLY STAINLESS reserves the right to change specification and design without notice.

18-06-0900
SALAMANDER BENCH

SCALE : 1:10

CONSTRUCTION NOTES :

1. TOPS MADE FROM 304 GRADE, 1.2mm STAINLESS STEEL.
2. CORE MADE FROM 3.0mm ZINC ANNEAL.
3. FRAME MADE FROM Ø38mm STAINLESS STEEL TUBE.
4. UNDERSHELF MADE FROM 1.2mm STAINLESS STEEL.
5. FEET ARE ADJUSTABLE STAINLESS STEEL DISC SHAPED FEET.