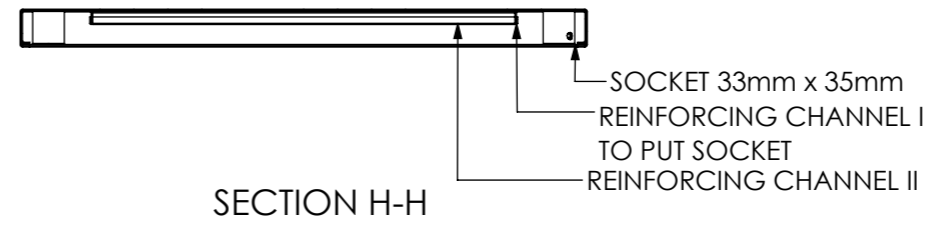
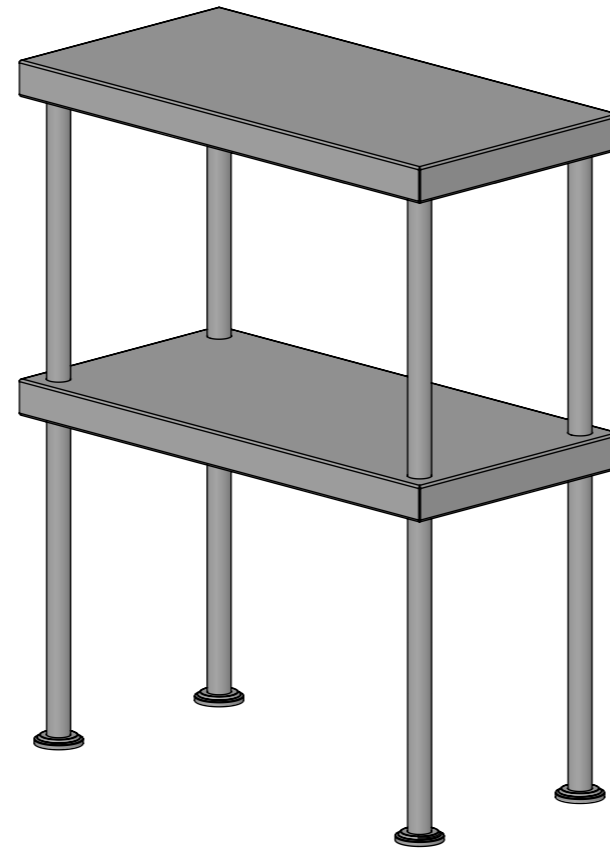


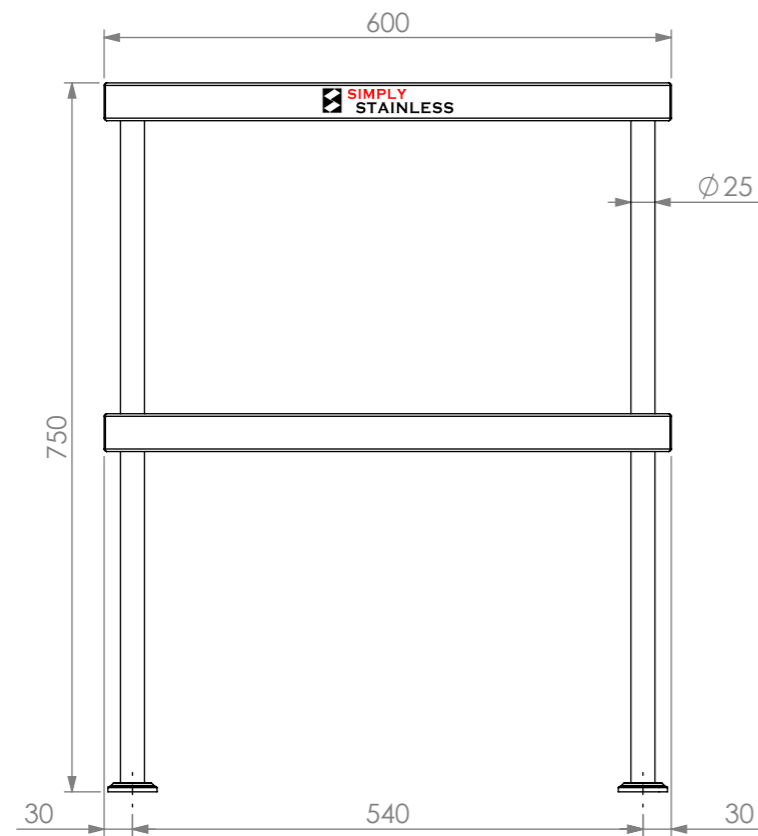
PLAN VIEW (TOP ONLY)



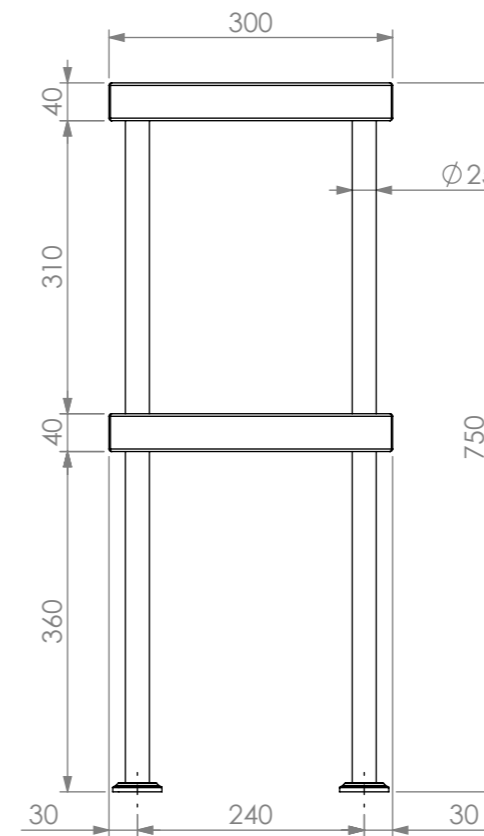
SECTION H-H



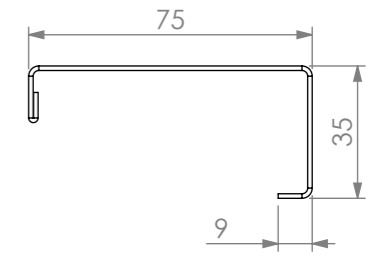
ISOMETRIC VIEW



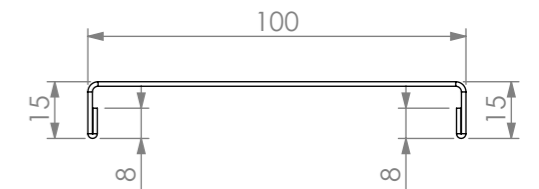
FRONT VIEW



SIDE VIEW



REINFORCING CHANNEL I DETAILS



REINFORCING CHANNEL II DETAILS



www.simplystainless.com
Modular Sinks Tables and Shelving
COPYRIGHT © 2019

This drawing is the property of CI GROUP PTY LTD. Tradings as SIMPLY STAINLESS and It may not be copied, reproduced or modified in whole or in part without prior written permission of CI GROUP PTY LTD. SIMPLY STAINLESS reserves the right to change specification and design without notice.

13-600
DOUBLE OVERSHELF

SCALE : 1:20

CONSTRUCTION NOTES :

1. TOPS & SIDE MADE FROM 1.2mm STAINLESS STEEL.
2. REINFORCING CHANNEL I, II, & III MADE FROM 1.2mm STAINLESS STEEL
3. FRAME MADE FROM Ø25mm STAINLESS STEEL TUBE.
4. FEET ARE STAINLESS STEEL DISC SHAPED FEET

13-600