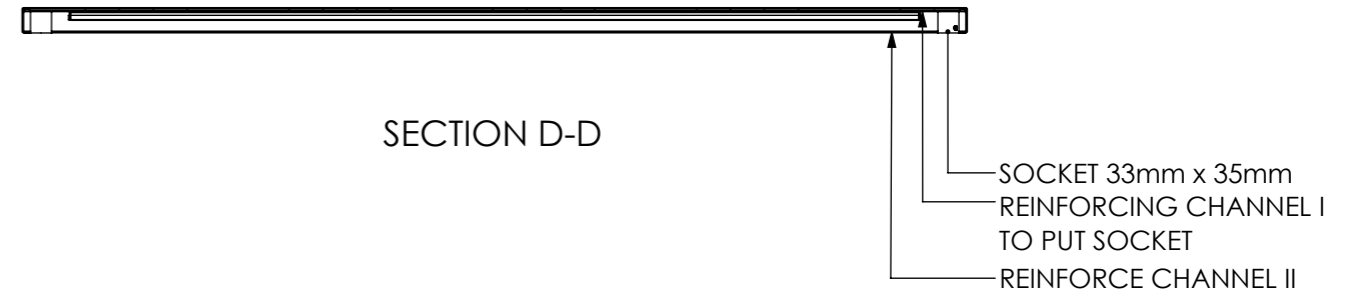
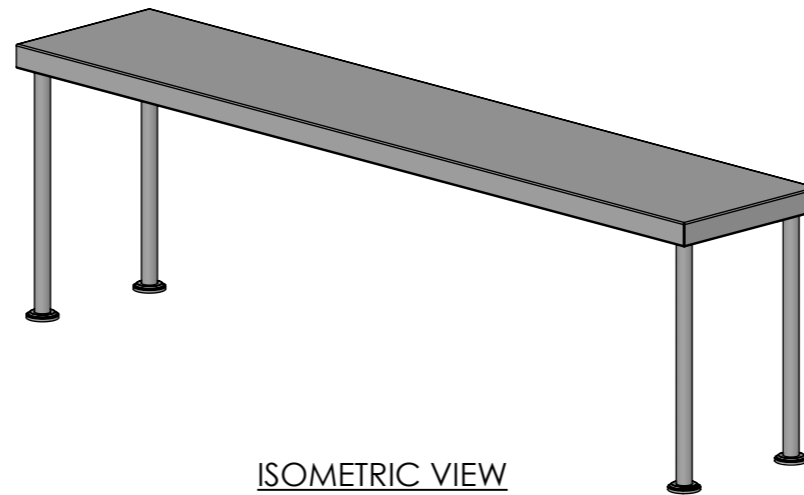


PLAN VIEW (TOP ONLY)

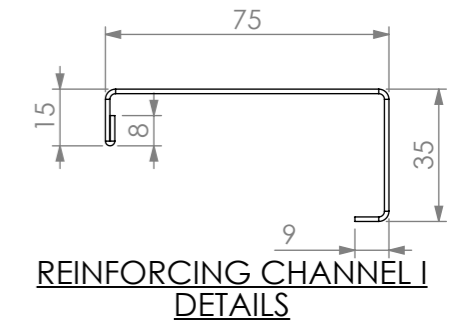


SECTION D-D

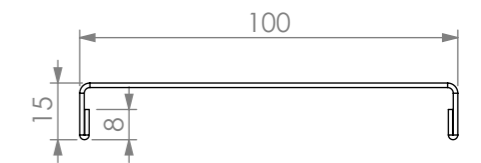
SOCKET 33mm x 35mm
 REINFORCING CHANNEL I
 TO PUT SOCKET
 REINFORCE CHANNEL II



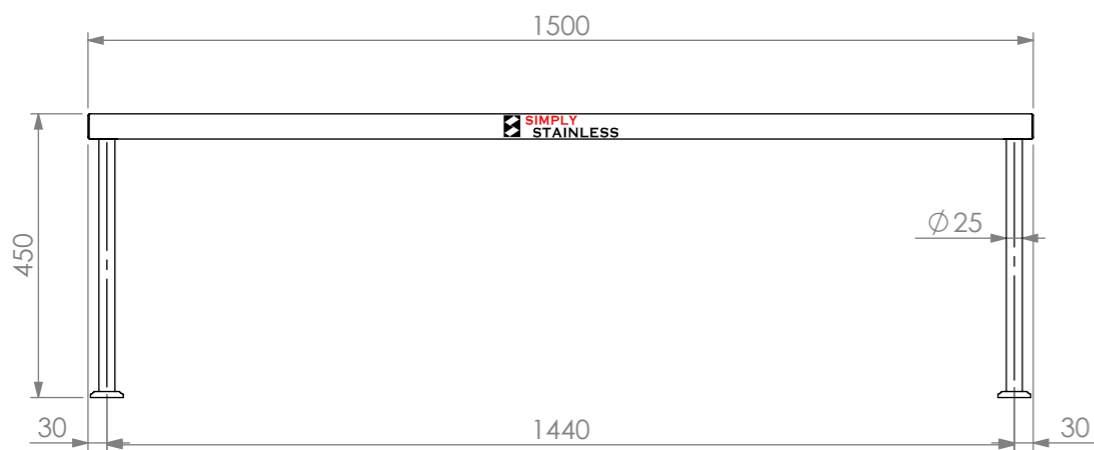
ISOMETRIC VIEW



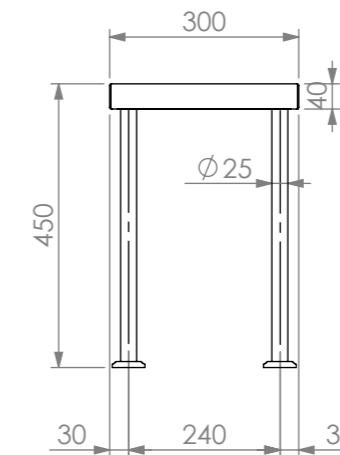
REINFORCING CHANNEL I
 DETAILS



REINFORCING CHANNEL II
 DETAILS



FRONT VIEW



SIDE VIEW

12-1500

SIMPLY STAINLESS
 www.simplystainless.com
 Modular Sinks Tables and Shelving
 COPYRIGHT © 2019
 This drawing is the property of CI GROUP PTY LTD. Tradings as SIMPLY STAINLESS and It may not be copied, reproduced or modified in whole or in part without prior written permission of CI GROUP PTY LTD. SIMPLY STAINLESS reserves the right to change specification and design without notice.

**12-1500
 SINGLE OVER SHELF**

SCALE : 1:20

CONSTRUCTION NOTES :

1. TOPS & SIDE MADE FROM 1.2mm STAINLESS STEEL.
2. REINFORCING CHANNEL I & II MADE FROM 1.2mm STAINLESS STEEL
3. FRAME MADE FROM Ø25mm STAINLESS STEEL TUBE.
4. FEET ARE STAINLESS STEEL DISC SHAPED FEET