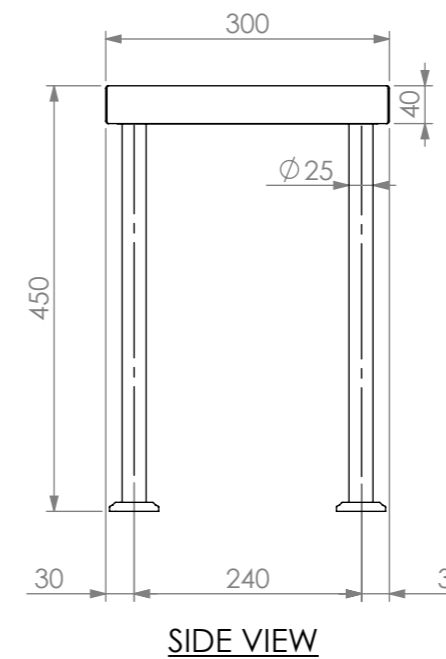
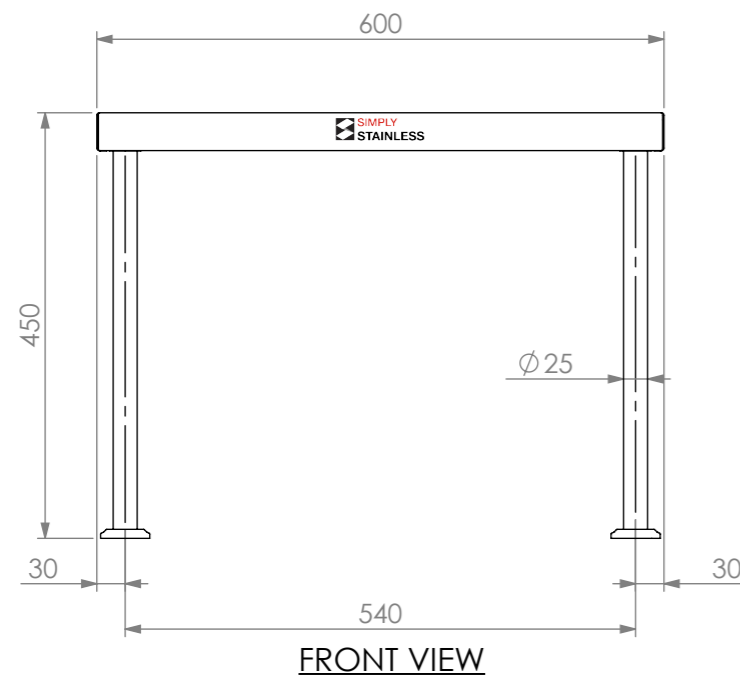
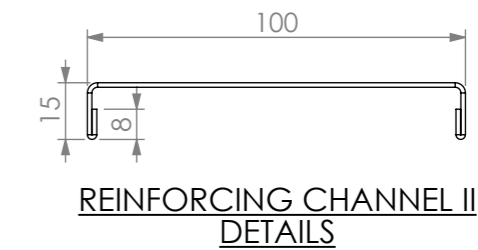
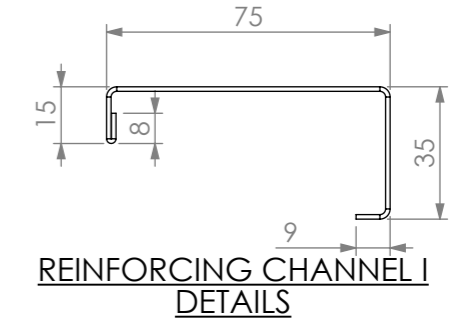


SOCKET 33mm x 35mm  
REINFORCING CHANNEL I  
TO PUT SOCKET  
REINFORCE CHANNEL II



**12-0600**

**SIMPLY STAINLESS**  
www.simplystainless.com  
Modular Sinks Tables and Shelving  
COPYRIGHT © 2019

This drawing is the property of CI GROUP PTY LTD. Tradings as SIMPLY STAINLESS and it may not be copied, reproduced or modified in whole or in part without prior written permission of CI GROUP PTY LTD. SIMPLY STAINLESS reserves the right to change specification and design without notice.

**12-0600**  
**SINGLE OVERSHELF**

SCALE : 1:20

**CONSTRUCTION NOTES :**

1. TOPS & SIDE MADE FROM 1.2mm STAINLESS STEEL.
2. REINFORCING CHANNEL I & II MADE FROM 1.2mm STAINLESS STEEL
3. FRAME MADE FROM Ø25mm STAINLESS STEEL TUBE.
4. FEET ARE STAINLESS STEEL DISC SHAPED FEET