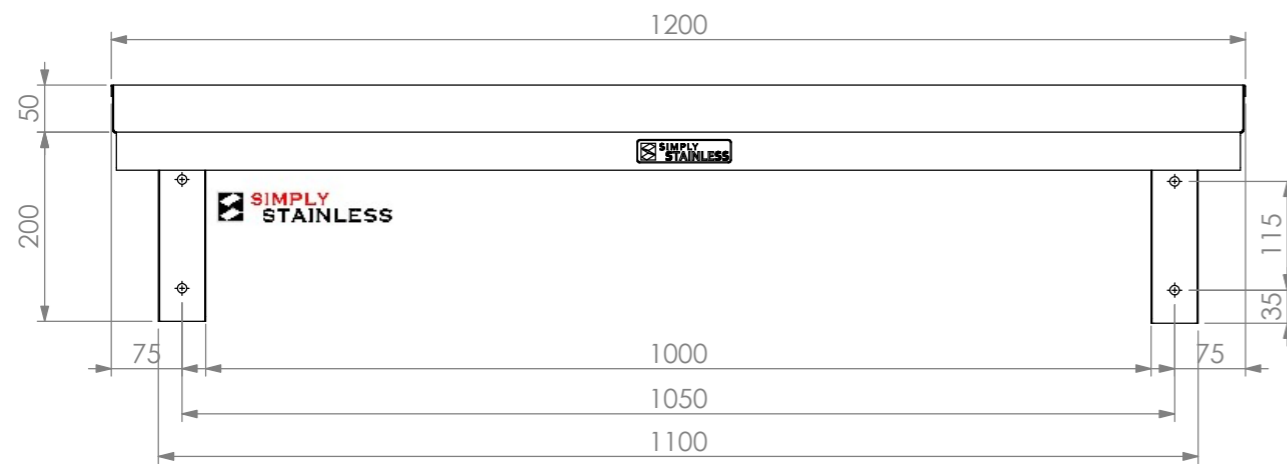
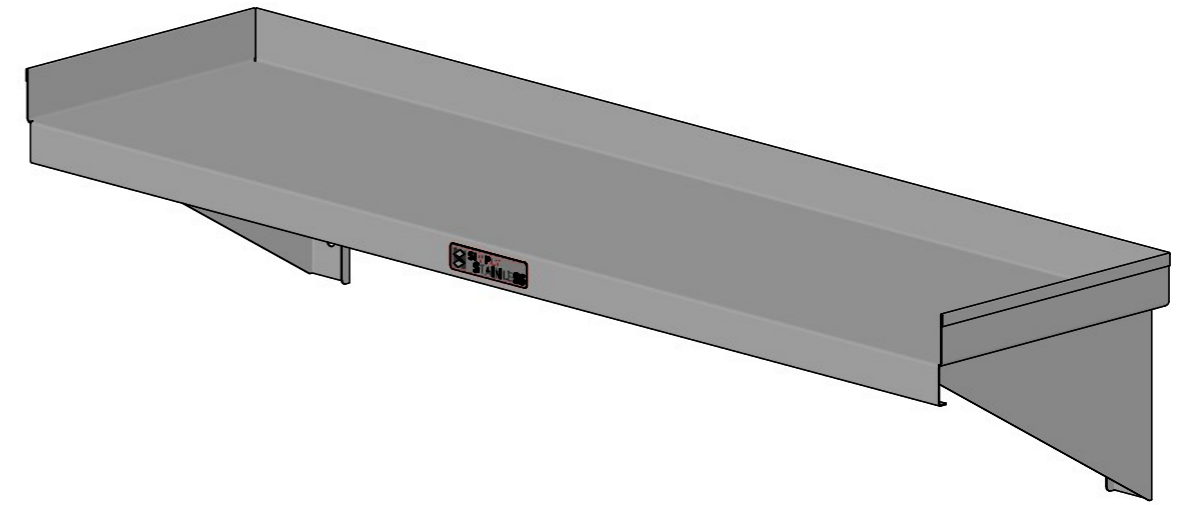


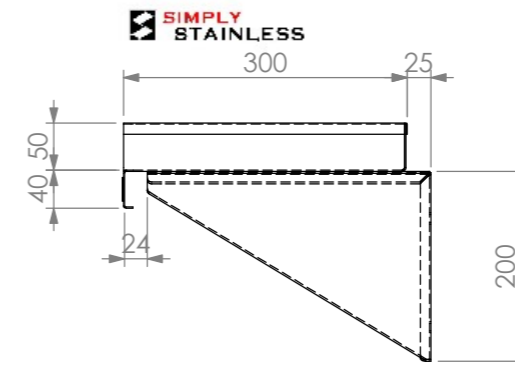
SIMPLY STAINLESS

PLAN



SIMPLY STAINLESS

FRONT ELEVATION



SIMPLY STAINLESS

SIDE ELEVATION

SIMPLY STAINLESS
www.simplystainless.com

Modular Sinks Tables and Shelving

COPYRIGHT © 2018

This drawing is the property of CI GROUP PTY LTD. Tradings as SIMPLY STAINLESS and It may not be copied, reproduced or modified in whole or in part without prior written permission of CI GROUP PTY LTD. SIMPLY STAINLESS reserves the right to change specification and design without notice.

**10-1200
WALL SHELF**

SIZE: A3

SCALE : 1:8

10-1200

CONSTRUCTION NOTES :

1. TOPS MADE FROM 1.2mm STAINLESS STEEL.