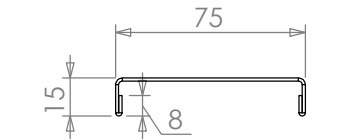
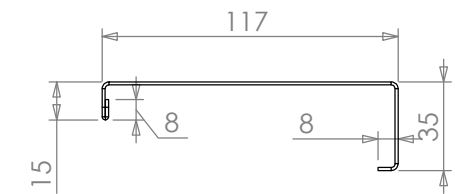


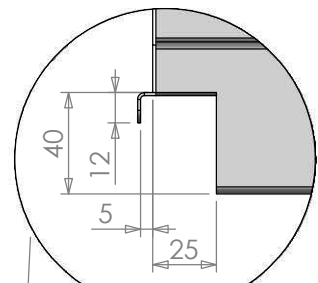
REINFORCING CHANNEL I DETAIL



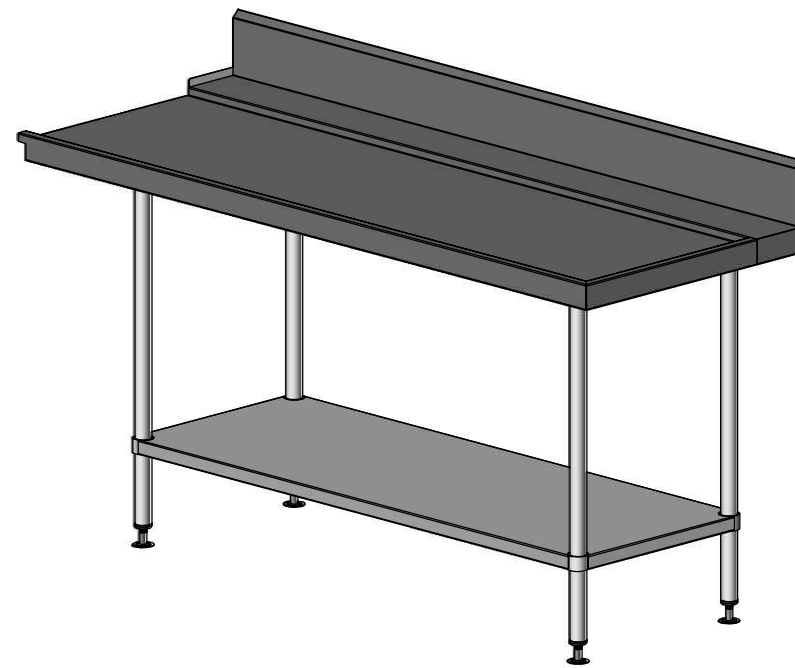
REINFORCING CHANNEL II DETAIL



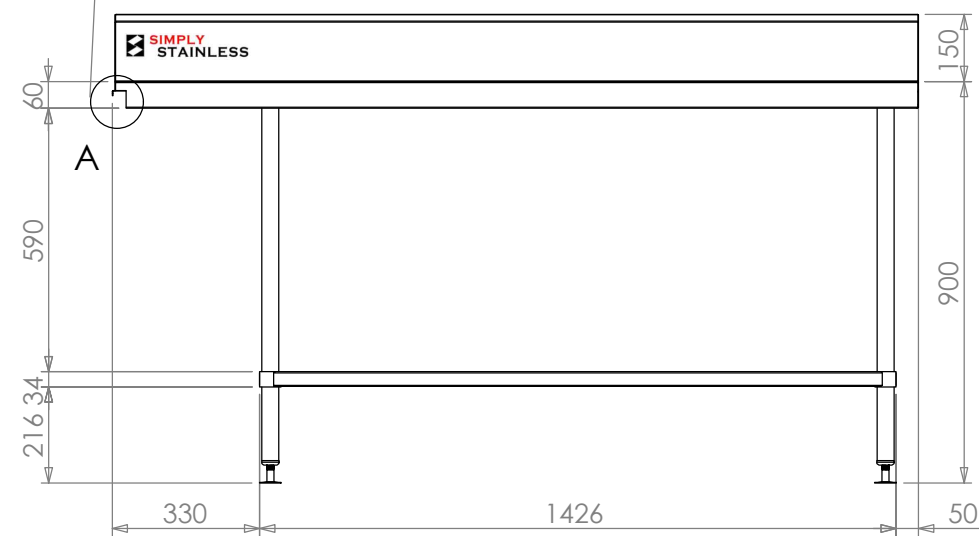
REINFORCING CHANNEL III DETAIL



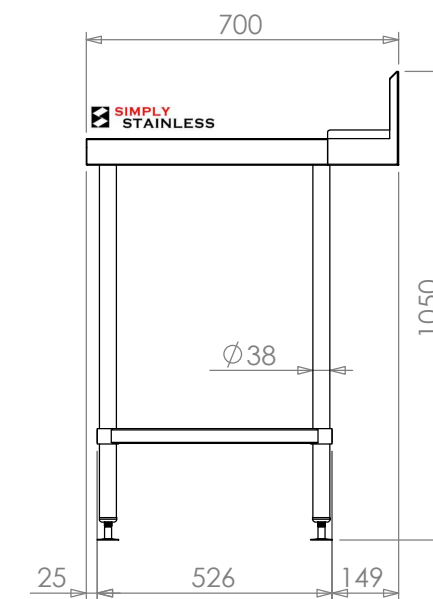
NOTCH DETAIL




07-7-1800R



FRONT ELEVATION



SIDE ELEVATION



www.simplystainless.com
Modular Sinks Tables and Shelving
COPYRIGHT © 2020

This drawing is the property of CI GROUP PTY LTD. Tradings as SIMPLY STAINLESS and It may not be copied, reproduced or modified in whole or in part without prior written permission of CI GROUP PTY LTD. SIMPLY STAINLESS reserves the right to change specification and design without notice.

07-7-1800R
DISHWASH OUTLET BENCH

SCALE : 1:20

- CONSTRUCTION NOTES :
1. TOPS MADE FROM 304 GRADE, 1.2mm STAINLESS STEEL.
 2. REINFORCING CHANNELS MADE FROM 1.2mm STAINLESS STEEL.
 3. FRAME MADE FROM Ø38mm STAINLESS STEEL TUBE
 4. UNDERSHELF MADE FROM 1.2mm STAINLESS STEEL WITH STAINLESS STEEL SUPPORTS.
 5. FEET ARE ADJUSTABLE STAINLESS STEEL DISC SHAPED FEET.