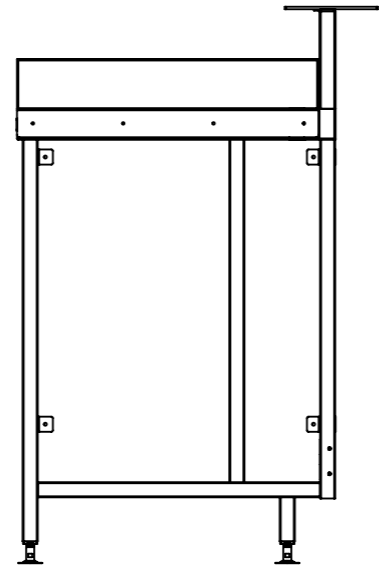
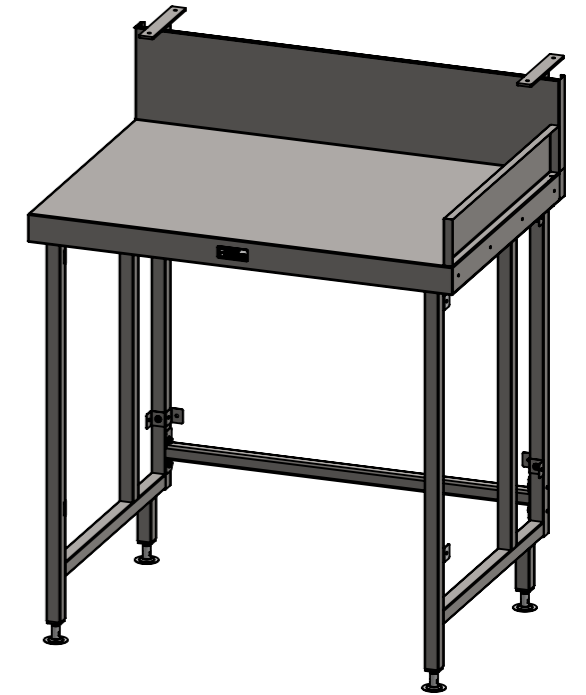
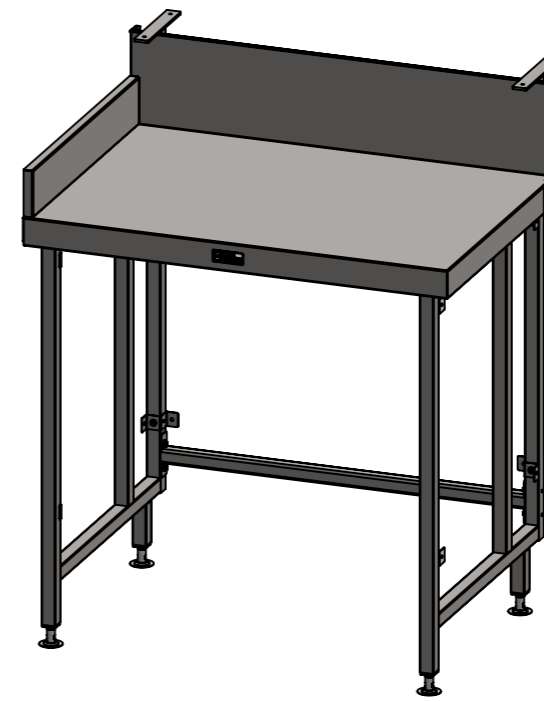


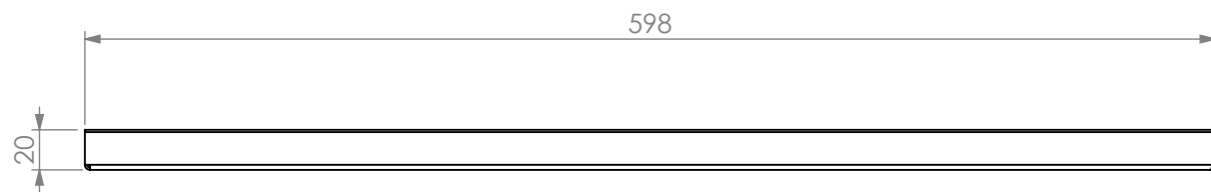
FRONT



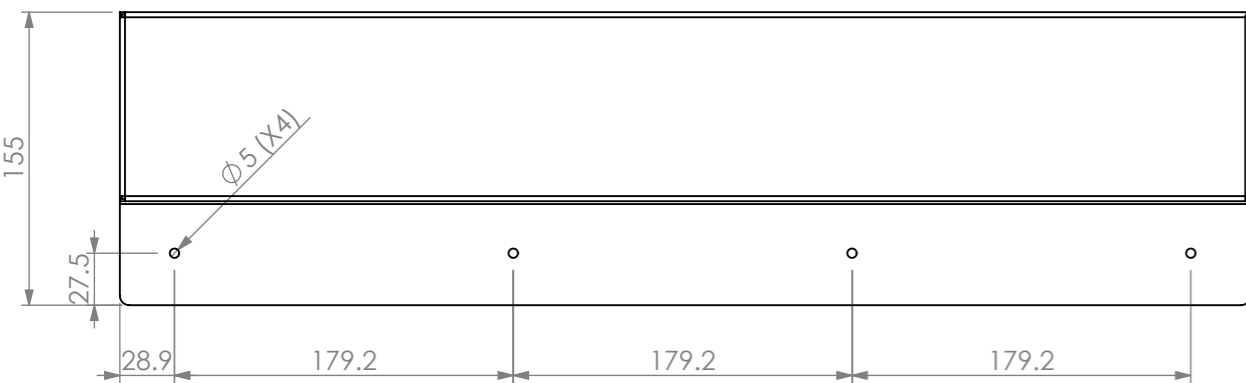
SIDE



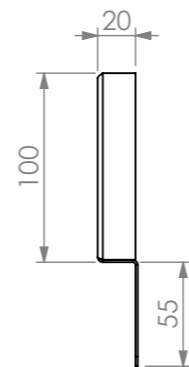
CAN FIT LEFT OR RIGHT  
(BENCH NOT INCLUDED)



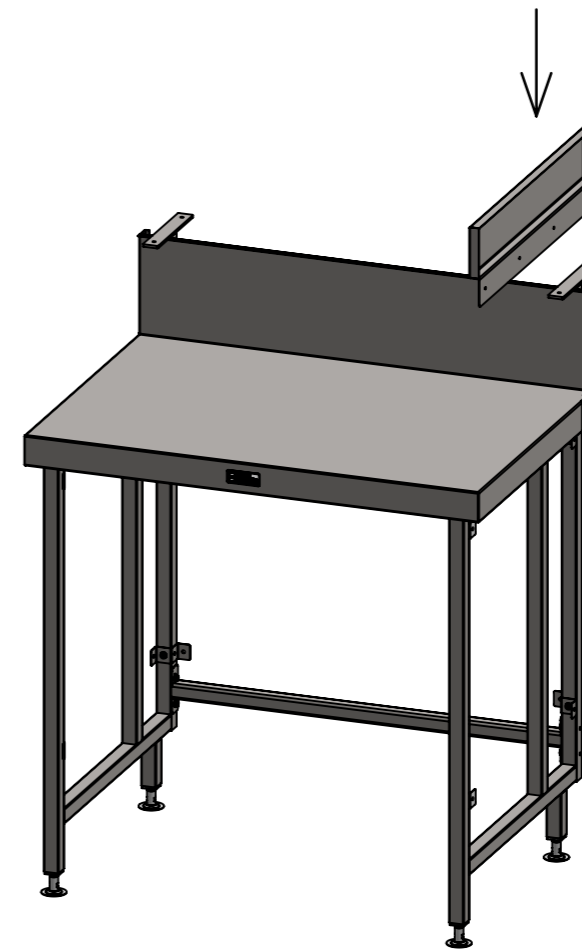
PLAN



FRONT ELEVATION



SIDE ELEVATION



ASSEMBLY



Modular Bar Solutions

COPYRIGHT © 2025

This drawing is the property of CI GROUP PTY LTD. Tradings as SIMPLY BARS and It may not be copied, reproduced or modified in whole or in part without prior written permission of CI GROUP PTY LTD. SIMPLY BARS reserves the right to change specification and design without notice.

**SBM-6-EU**

SIZE: A3

SCALE: 1:4

CONSTRUCTION NOTES :

- 1.MADE FROM 1.2mm STAINLESS STEEL.
- 2.TO SUIT 600 SERIES SINGLE BAR MODULES.

