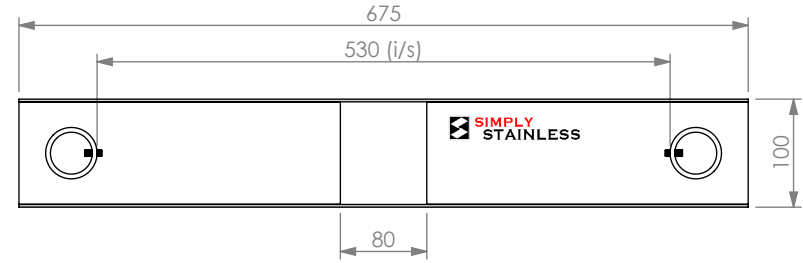
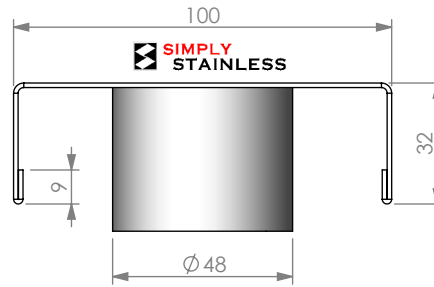


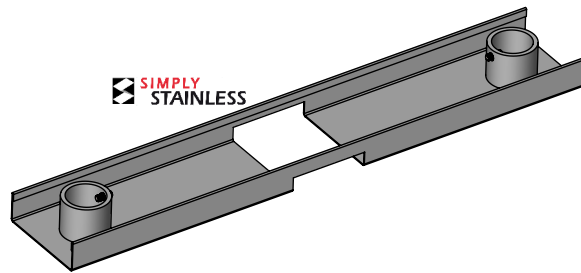
**PLAN
600 SERIES**



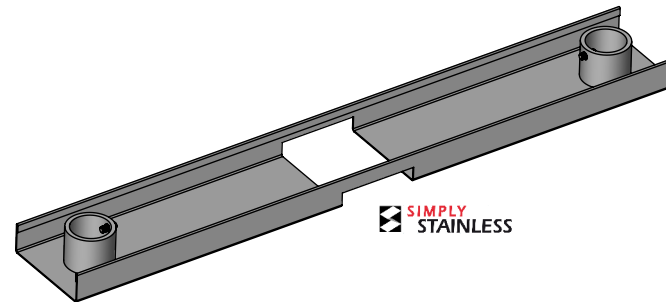
**PLAN
700 SERIES**



SECTION VIEW



**ISO VIEW
600 SERIES**



**ISO VIEW
700 SERIES**



www.simplystainless.com
Modular Sinks Tables and Shelving

CI GROUP PTY LTD COPYRIGHT ©

This drawing is the property of CI GROUP PTY LTD trading as SIMPLY STAINLESS, and it may not be copied, reproduced or modified in whole or in part, without prior written permission of CI GROUP PTY LTD.

SS - LEG ADAPTOR 600 & 700 SERIES

Scale 1:10

CONSTRUCTION NOTES:

1. CHANNEL MADE FROM 1.2mm STAINLESS STEEL.
2. STAINLESS STEEL SOCKETS TO SUIT Ø38mm LEG x2.