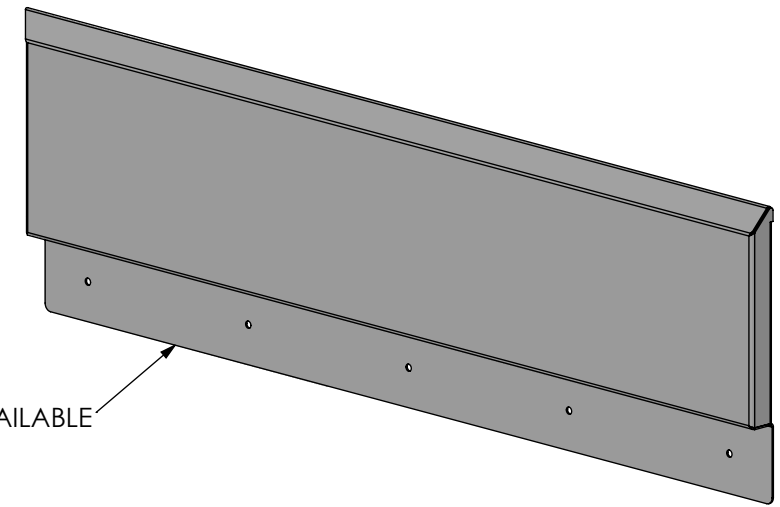
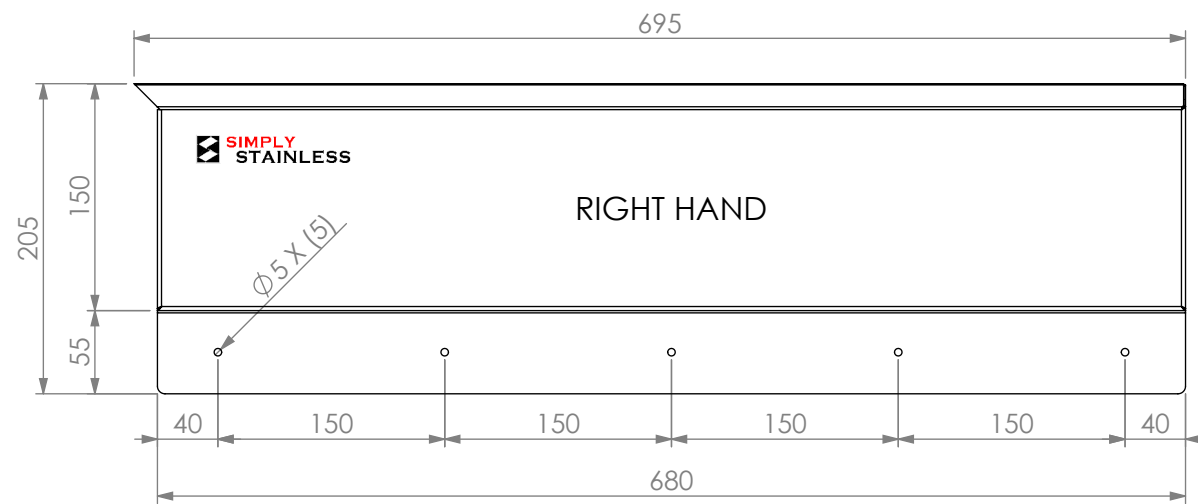


PLAN



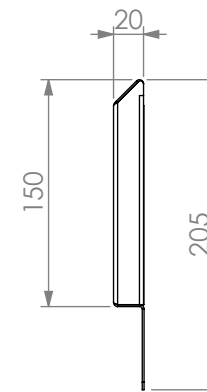
RIGHT HAND & LEFT HAND AVAILABLE

ISOMETRIC VIEW
do not scale

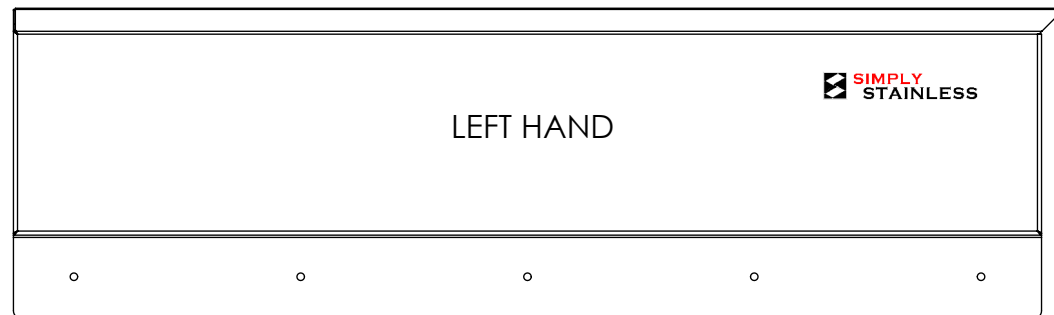


RIGHT HAND

Ø5 X (5)



SIDE ELEVATION



LEFT HAND

FRONT ELEVATION



www.simplystainless.com
Modular Sink Table and Shelving

CI GROUP PTY LTD COPYRIGHT ©

This drawing is the property of CI GROUP PTY LTD Trading as SIMPLY STAINLESS, and It may not be copied, reproduced or modified in whole or in part without prior written permission of CI GROUP PTY LTD.

END UPSTAND FOR 700 SERIES

SCALE 1:10

CONSTRUCTION NOTES:

1. UPSTAND MADE FROM 1.2mm STAINLESS STEEL.