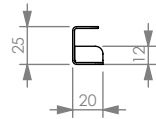
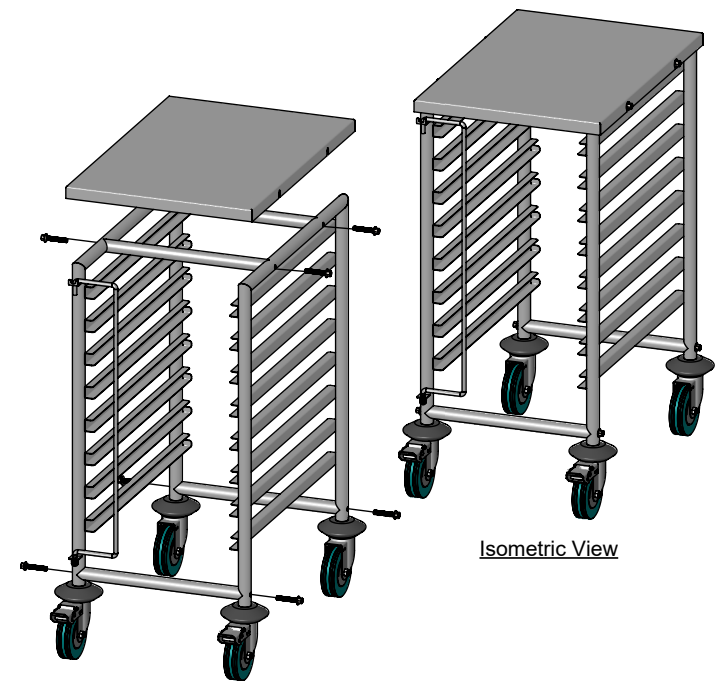


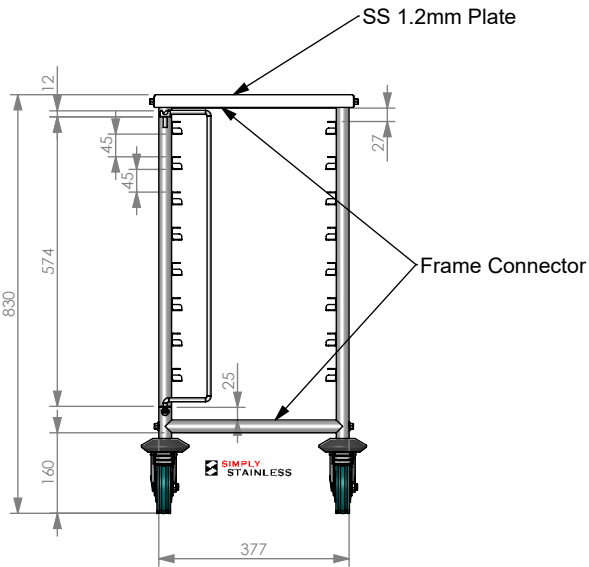
Plan



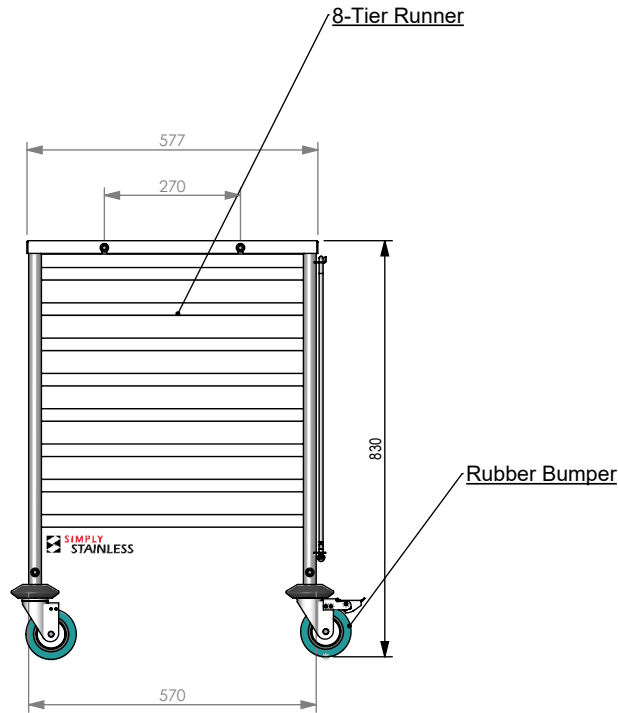
Runner Profile



Isometric View



Front Elevation



Side Elevation

Assembling Elevation

SIMPLY STAINLESS
 www.simplystainless.com
 Modular Sinks Tables and Shelving

CI GROUP PTY LTD COPYRIGHT ©

This drawing is the property of CI GROUP PTY LTD trading as SIMPLY STAINLESS, and it may not be copied, reproduced or modified in whole or in part, without prior written permission of CI GROUP PTY LTD.

16-1/1 GASTRONOME TROLLEY LOW HEIGHT

Scale 1:20

16-1/1 LH

CONSTRUCTION NOTES :

1. TOPS MADE FROM 1.2mm STAINLESS STEEL.
2. FRAME MADE FROM Ø25mm STAINLESS STEEL TUBE.
3. FEET ARE Ø100mm SWIVEL CASTORS. 2x LOCKING & 2x NON-LOCKING